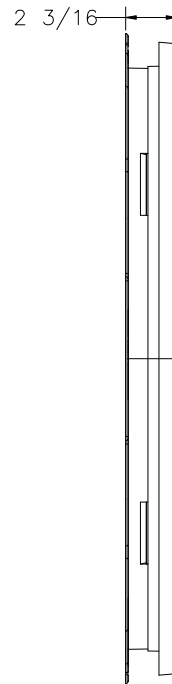
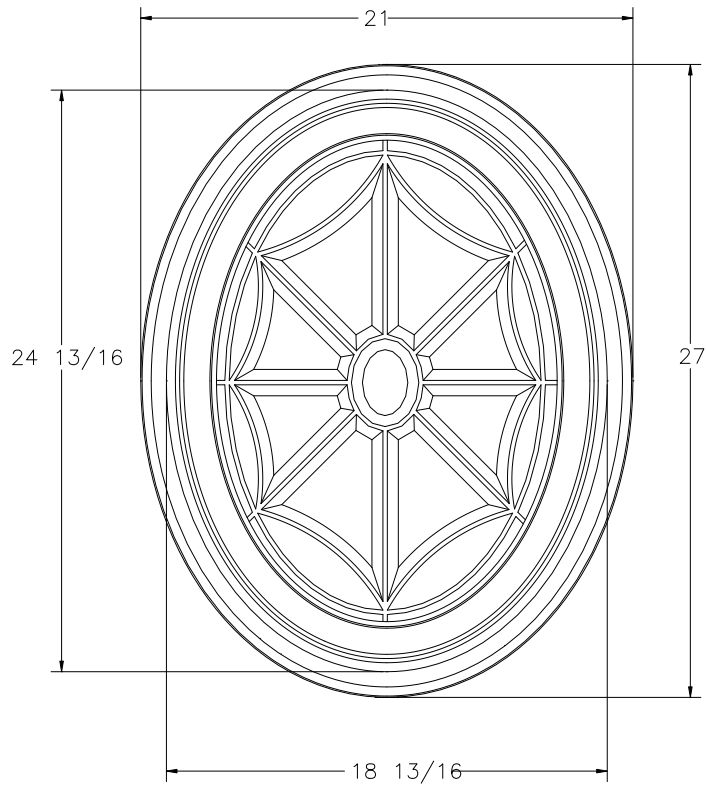


OVAL WINDOW



GLAZING SPECIFICATIONS:

5/8" INSULATING GLASS UNIT CONSISTING OF TWO LITES OF .125" DOUBLE STRENGTH GLASS ON THE INTERIOR AND EXTERIOR (WITH .063" ACRYLIC SHEET INSERT FOR LEADED LOOK). THE CAVITY IS AIR FILLED WITH .50" SWIGGLE STRIP SPACER AND WET GLAZED.