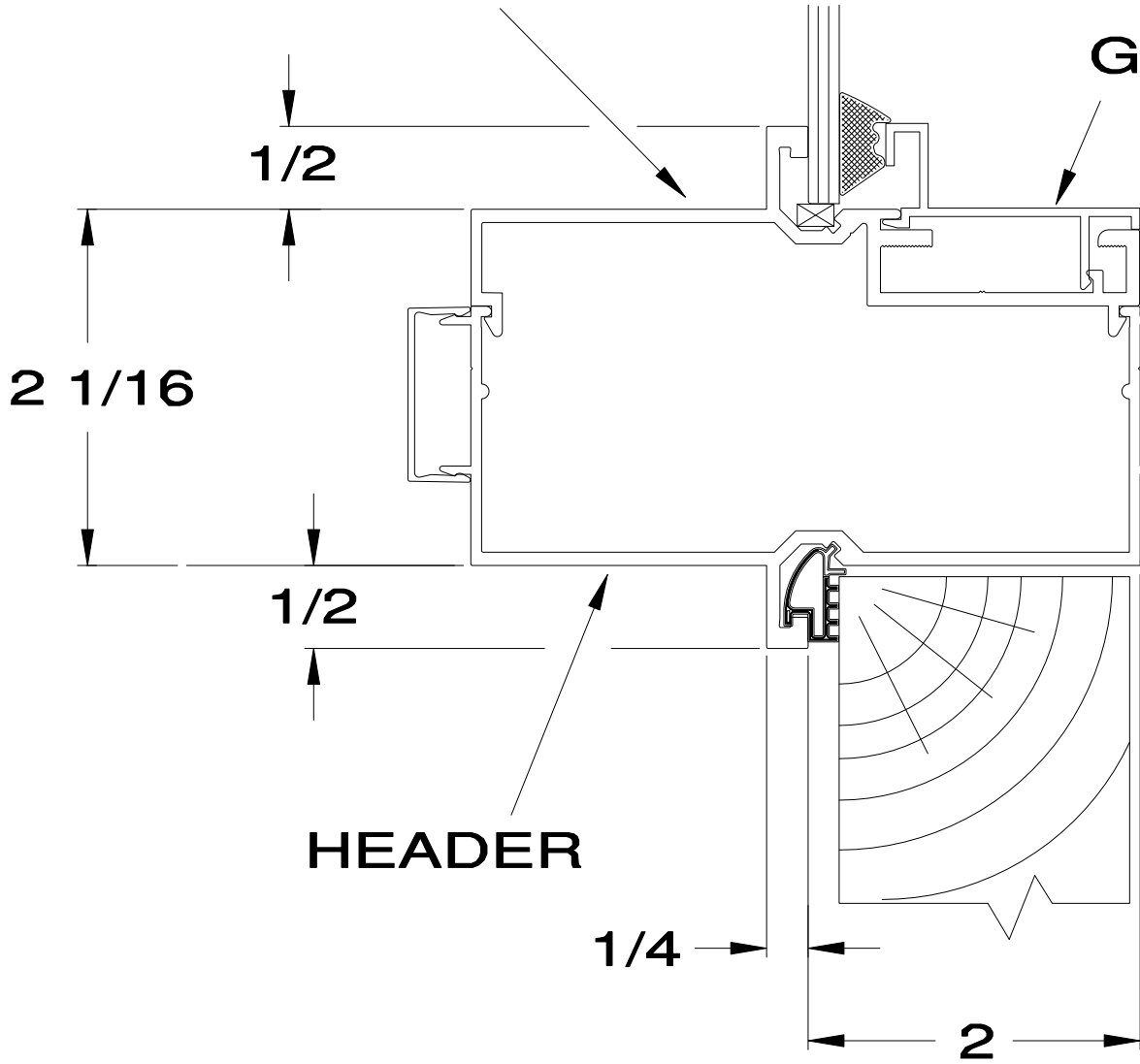


TRANSOM GLAZING

GLASS STOP

TRIM



HEADER

$\frac{1}{2}$

$2 \frac{1}{16}$

$\frac{1}{2}$

$\frac{1}{4}$

2