

MODEL TP-18

SYMMETRICAL 2-POST LIFT
CAPACITY: 18,000 LBS

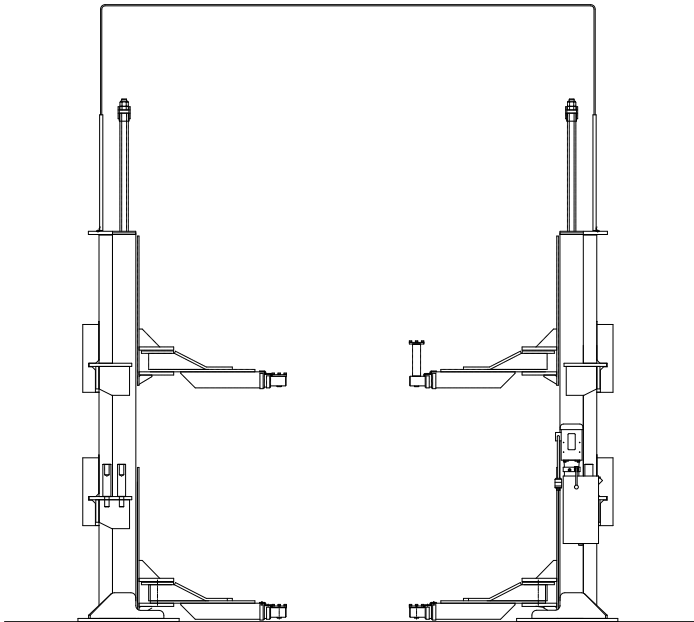


THIS LIFT HAS BEEN TESTED AND CERTIFIED BY A NATIONALLY RECOGNIZED TESTING LABORATORY (NRTL) TO MEET THE REQUIREMENTS OF U.L. STANDARD 201 FOR GARAGE EQUIPMENT AND ANSI/ALI ALCTV-2006 FOR AUTOMOTIVE LIFT CONSTRUCTION.

CONTACT MOHAWK RESOURCES LTD. FOR ADDITIONAL SPECIFICATIONS AND/OR SPECIFICATION DRAWINGS.

SCALE: FULL
DRAWN BY: R.V.
REV DATE: 5/2006

NOTE:
LIFT SPECIFICATIONS SUBJECT TO CHANGE WITHOUT NOTICE. SEE README.TXT FOR ADDITIONAL NOTES PERTAINING TO ALL CAD DRAWINGS.



MOHAWK RESOURCES LTD.

P.O. BOX 110
65 VROOMAN AVENUE
AMSTERDAM, NY 12010

PHN: (800) 833-2006
IN NY: (518) 842-1431
FAX: (518) 842-1289

DOUBLE
TELESCOPING
ARM:

