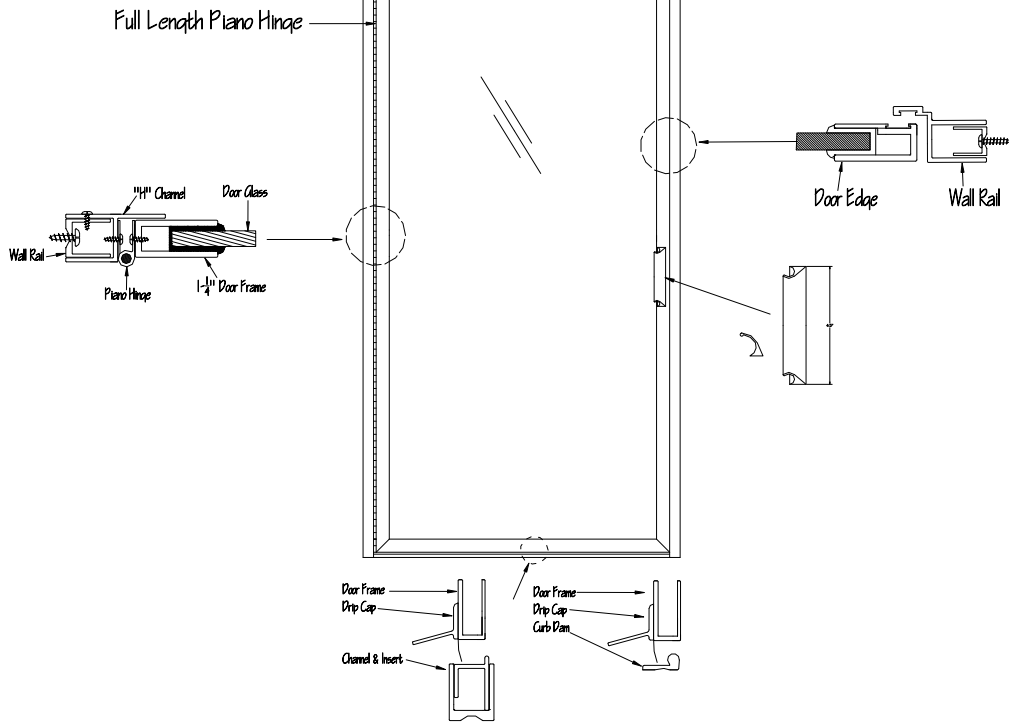
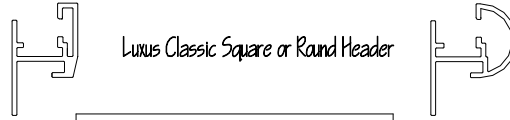


FINISH:	Chrome
GLASS:	1/4" Clear Tempered
PULL:	Standard Frame Mounted
HEADER:	Luxus Classic
STEAM:	No
TRANSOM:	Grill



Customer Approval Area

Print Name: _____
 Sign: _____
 Date: _____



260 Hathaway Drive
 Stratford, CT 06615
 (800) 633-3667 phone
 (203) 386-0311 fax

DRAWN BY:	SERIES:	REV. DATE:	REV. #:	CONTRACTOR/COMPANY:
-----------	---------	------------	---------	---------------------

TAG:

Drawings And Specifications, As Instruments of Professional Service, Are And Shall Remain The Property of Mr. Shower Door, Incorporated. No Portion of this document may be reproduced without the written permission of Mr. Shower Door, Inc.

DRAWING CONTENT:	DATE:
------------------	-------