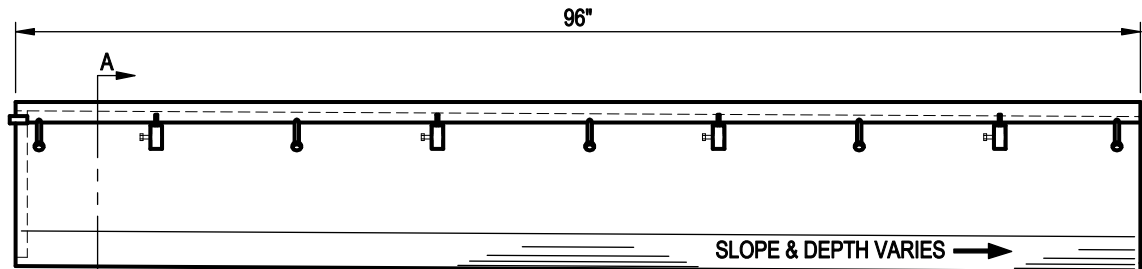


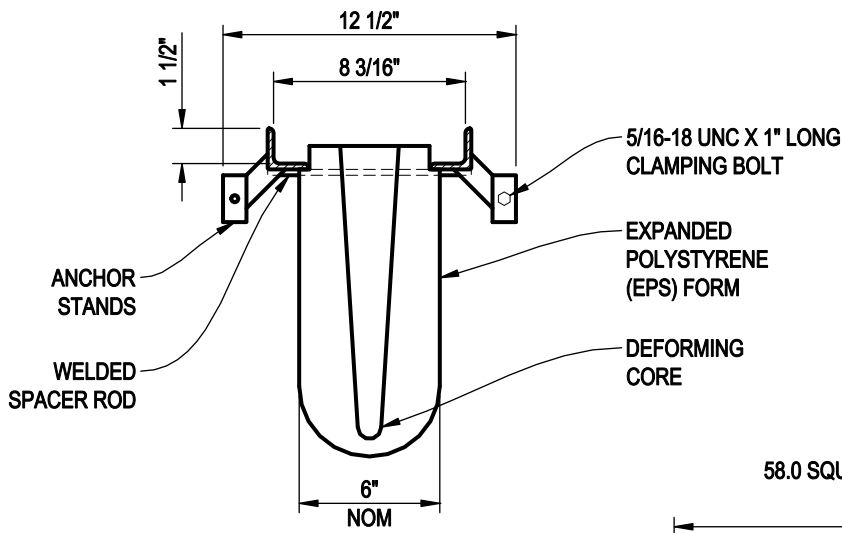
MultiDrain®

We Drain Your Site, Not Your Budget!

MULTIDRAIN SYSTEMS, INC.
 P.O. BOX 88
 BARIUM SPRINGS, NC 28010
 TOLL FREE: 1-800-433-1119
 PHONE: (704) 508-1010
 FAX: (704) 508-1011
 www.multidrain.com



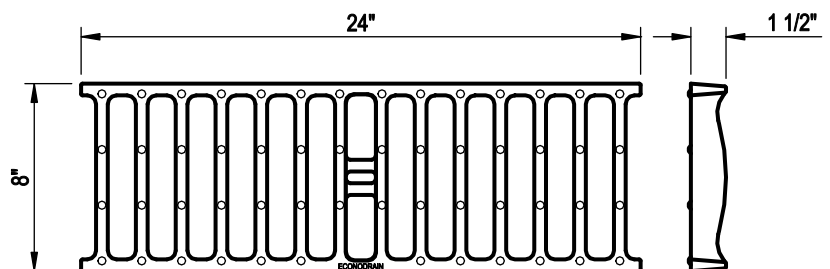
ELEVATION
DO NOT SCALE



SECTION A-A
DO NOT SCALE

FINISH SPECIFICATION
 GRATE FRAME: BLACK PAINT - STANDARD
 HOT DIP GALVANIZE - OPTIONAL
 CAST GRATE : BLACK PAINT - STANDARD
 HOT DIP GALVANIZE - OPTIONAL

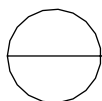
60.4% OPEN AREA
 58.0 SQUARE INCHES PER LINEAR FOOT



AASHTO M306 - H20
 CAST IRON GRATE - #EG-0824-1CI-B
 (INSTALLED AFTER REMOVAL OF EPS FORM)

NOTES:

1. INSTALLATION TO BE COMPLETED IN ACCORDANCE WITH MANUFACTURERS SPECIFICATIONS.
2. DO NOT SCALE DRAWINGS.



EconoDrain® Series #6
 IRON GRATE (STANDARD)