

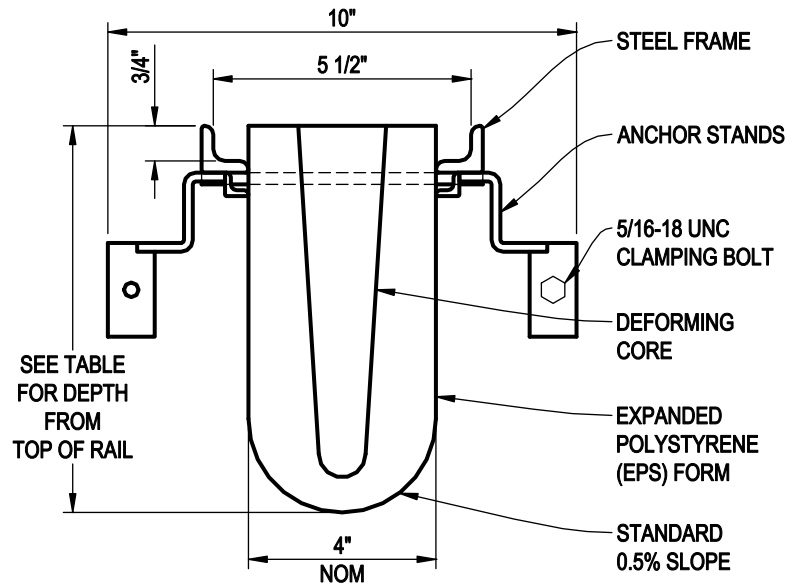
# MultiDrain®

We Drain Your Site, Not Your Budget!

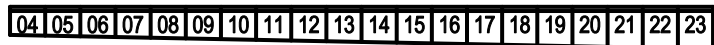
MULTIDRAIN SYSTEMS, INC.  
 P.O. BOX 88  
 BARIUM SPRINGS, NC 28010  
 TOLL FREE: 1-800-433-1119  
 PHONE: (704) 508-1010  
 FAX: (704) 508-1011  
 www.multidrain.com

	EPS FORM	DEPTH		FLOW GPM	
		MIN	MAX		
SHALLOW EPS FORMS	04	4 1/4"	4 3/4"	86	
	05	4 3/4"	5 1/4"	100	
	06	5 1/4"	5 3/4"	115	
	07	5 3/4"	6 1/4"	130	
	08	6 1/4"	6 3/4"	144	
	09	6 3/4"	7 1/4"	159	
	10	7 1/4"	7 3/4"	174	
	11	7 3/4"	8 1/4"	189	
	12	8 1/4"	8 3/4"	204	
	13	8 3/4"	9 1/4"	219	
	14	9 1/4"	9 3/4"	234	
	15	9 3/4"	10 1/4"	250	
	16	10 1/4"	10 3/4"	265	
	17	10 3/4"	11 1/4"	280	
	18	11 1/4"	11 3/4"	295	
	19	11 3/4"	12 1/4"	310	
	20	12 1/4"	12 3/4"	325	
	21	12 3/4"	13 1/4"	340	
	22	13 1/4"	13 3/4"	356	
	23	13 3/4"	14 1/4"	371	
	DEEP EPS FORMS	24	14 1/4"	14 3/4"	386
		25	14 3/4"	15 1/4"	401
		26	15 1/4"	15 3/4"	416
27		15 3/4"	16 1/4"	432	
28		16 1/4"	16 3/4"	447	
29		16 3/4"	17 1/4"	462	
30		17 1/4"	17 3/4"	477	
31		17 3/4"	18 1/4"	493	
32		18 1/4"	18 3/4"	508	
33		18 3/4"	19 1/4"	523	
34		19 1/4"	19 3/4"	538	
35		19 3/4"	20 1/4"	554	
36		20 1/4"	20 3/4"	569	
37		20 3/4"	21 1/4"	584	
38		21 1/4"	21 3/4"	599	
39		21 3/4"	22 1/4"	615	
40		22 1/4"	22 3/4"	630	
41		22 3/4"	23 1/4"	645	
42		23 1/4"	23 3/4"	660	
43		23 3/4"	24 1/4"	676	
44		24 1/4"	24 3/4"	691	
45		24 3/4"	25 1/4"	706	

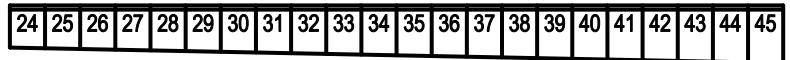
STANDARD GRATE:  
 AASHTO M306 - H20 & HS25  
 DUCTILE IRON GRATE  
 #EG-04241DIB  
 (NOT PICTURED)



STEEL FRAMES & EPS FORMS ARE  
 STANDARD 8'-0" LENGTHS



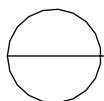
SHALLOW EPS FORMS



DEEP EPS FORMS

NOTES:

1. INSTALLATION TO BE COMPLETED IN ACCORDANCE WITH MANUFACTURERS SPECIFICATIONS.
2. DO NOT SCALE DRAWINGS.



EconoDrain® Series #4  
 STANDARD EPS FORMS