

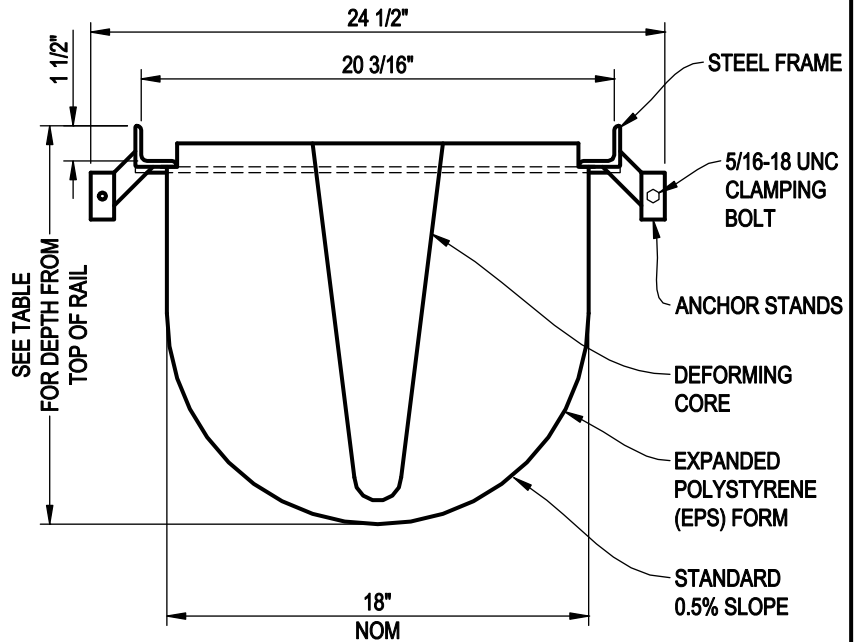
MultiDrain®

We Drain Your Site, Not Your Budget!

MULTIDRAIN SYSTEMS, INC.
 P.O. BOX 88
 BARIUM SPRINGS, NC 28010
 TOLL FREE: 1-800-433-1119
 PHONE: (704) 508-1010
 FAX: (704) 508-1011
 www.multidrain.com

	EPS FORM	DEPTH		FLOW GPM
		MIN	MAX	
SHALLOW EPS FORMS	18	12"	12 1/2"	2318
	19	12 1/2"	13"	2483
	20	13"	13 1/2"	2651
	21	13 1/2"	14"	2819
	22	14"	14 1/2"	2989
	23	14 1/2"	15"	3159
	24	15"	15 1/2"	3331
	25	15 1/2"	16"	3503
	26	16"	16 1/2"	3676
	27	16 1/2"	17"	3850
28	17"	17 1/2"	4025	
29	17 1/2"	18"	4200	
30	18"	18 1/2"	4376	
DEEP EPS FORMS	31	18 1/2"	19"	4552
	32	19"	19 1/2"	4729
	33	19 1/2"	20"	4907
	34	20"	20 1/2"	5084
	35	20 1/2"	21"	5263
	36	21"	21 1/2"	5441
	37	21 1/2"	22"	5620
	38	22"	22 1/2"	5800
	39	22 1/2"	23"	5979
	40	23"	23 1/2"	6159
	41	23 1/2"	24"	6339
	42	24"	24 1/2"	6520
	43	24 1/2"	25"	6701
	44	25"	25 1/2"	6882
	45	25 1/2"	26"	7063
	46	26"	26 1/2"	7244
	47	26 1/2"	27"	7426
	48	27"	27 1/2"	7608
	49	27 1/2"	28"	7790
	50	28"	28 1/2"	7972

DUCTILE IRON GRATE: #EG-2024-6DI-A
 AASHTO M306 - H20 & HS25
 (NOT PICTURED)



STEEL FRAMES & EPS FORMS ARE
 STANDARD 8'-0" LENGTHS

18	19	20	21	22	23	24	25	26	27	28	29	30
----	----	----	----	----	----	----	----	----	----	----	----	----

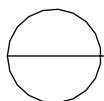
SHALLOW EPS FORMS

31	32	33	34	35	36	37	38	39	40	41	42	43	44	45	46	47	48	49	50
----	----	----	----	----	----	----	----	----	----	----	----	----	----	----	----	----	----	----	----

DEEP EPS FORMS

NOTES:

1. INSTALLATION TO BE COMPLETED IN ACCORDANCE WITH MANUFACTURERS SPECIFICATIONS.
2. DO NOT SCALE DRAWINGS.



EconoDrain® Series #18

STANDARD EPS FORMS