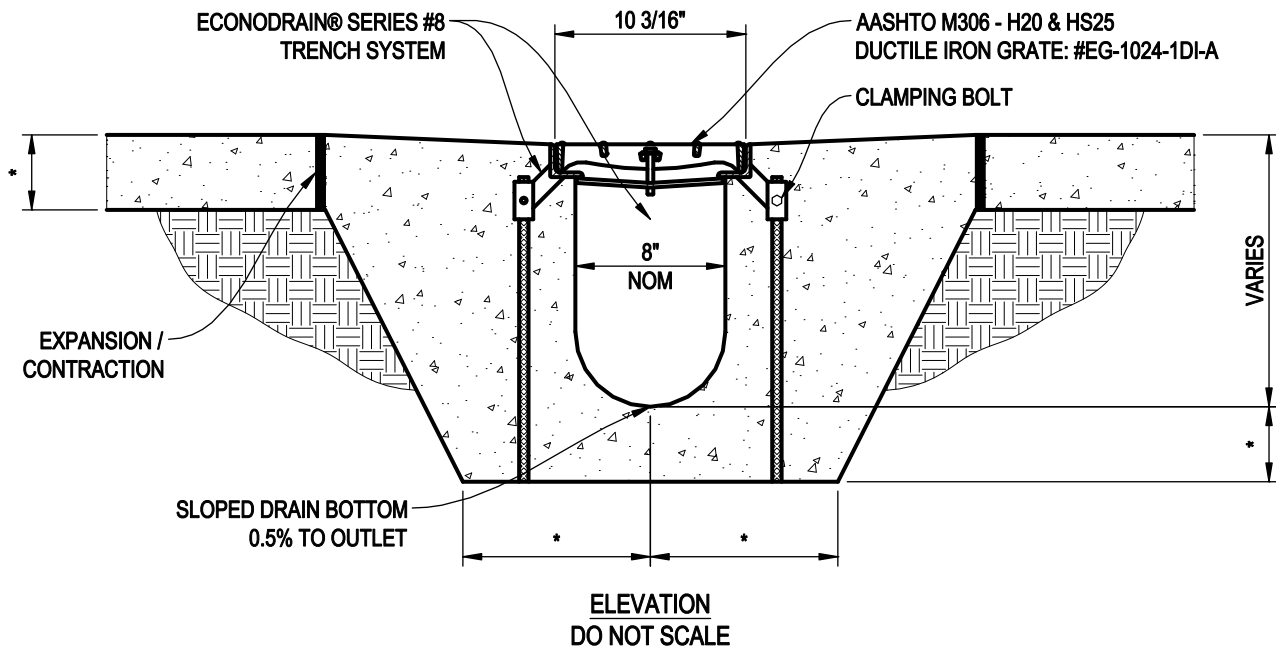


MultiDrain®

We Drain Your Site, Not Your Budget!

MULTIDRAIN SYSTEMS, INC.
P.O. BOX 88
BARIUM SPRINGS, NC 28010
TOLL FREE: 1-800-433-1119
PHONE: (704) 508-1010
FAX: (704) 508-1011
www.multidrain.com



NOTES TO THE SPECIFIER:

1. ADD REBAR AS REQUIRED
2. SPECIFY REQUIRED DIMENSIONS (LABELED WITH *)
3. SHOW TOP OF GRATE ELEVATION IN PLAN VIEW
4. EXPANSION / CONTRACTION JOINT PER LOCAL ENGINEERING REGULATIONS AND GUIDELINES
5. STANDARD CHANNEL LENGTH IS 8'-0" (96")
6. STANDARD CHANNEL SLOPE IS 0.5%

FINISH SPECIFICATION

- GRATE FRAME: BLACK PAINT - STANDARD
HOT DIP GALVANIZE - OPTIONAL
CAST GRATE : BLACK PAINT - STANDARD
HOT DIP GALVANIZE - OPTIONAL

NOTES:

1. INSTALLATION TO BE COMPLETED IN ACCORDANCE WITH MANUFACTURERS SPECIFICATIONS.
2. DO NOT SCALE DRAWINGS.

