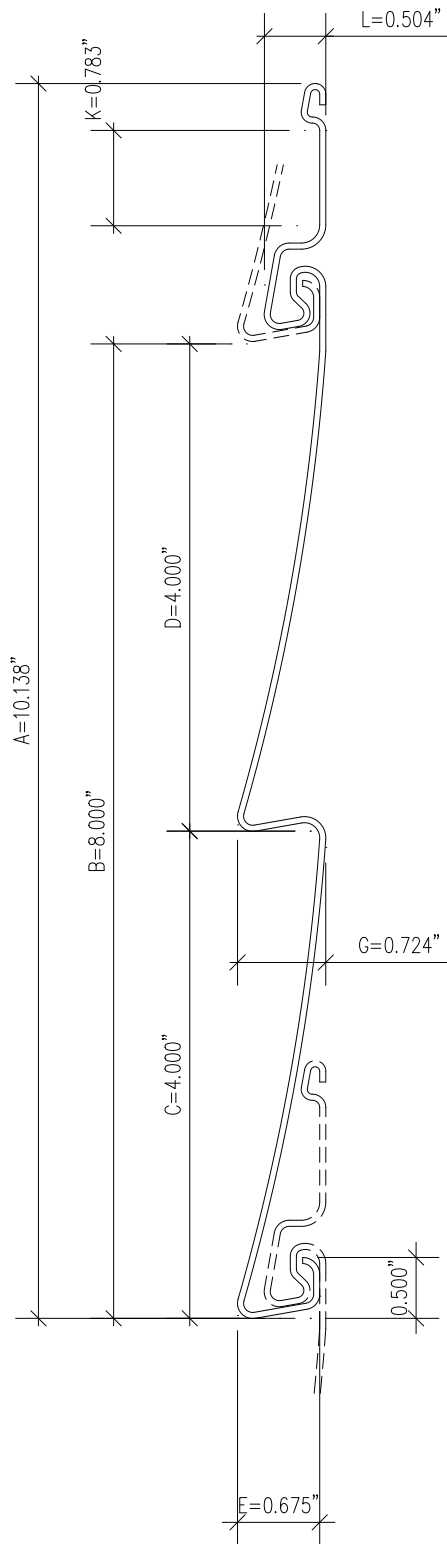


- A- OVERALL WIDTH
- B- INTERLOCKED WIDTH
- C- BOTTOM PANEL WIDTH
- D- TOP PANEL WIDTH
- E- BOTTOM BUTT HT.
- F- RETURN LEG LENGTH
- G- CENTER BUTT HEIGHT
- K- NAIL HEM LENGTH
- L- LOCK HEIGHT



ITEM: SAGEBRUSH D4 HORIZONTAL  
 DATE: 4/10/06

DWG. S-4-N