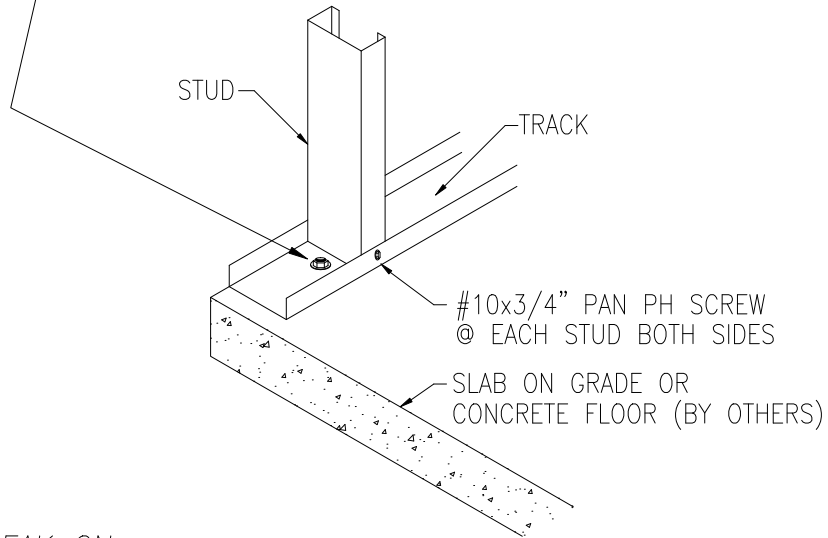


CONCRETE ATTACHMENT

- 1/2"Ø HILTI KWIK BOLT II WITH WASHER (OR APPROVED EQUAL)
MINIMUM EMBED DEPTH OF 3 1/2', @ 6'-0" O.C. (BY OTHERS)
- .145"Ø PAF PIN W/WASHER W/ 1" MIN. PENETRATION (BY OTHERS)
 - 1'-0" O.C. LOAD BEARING WALLS
 - 2'-0" O.C. NON-LOAD BEARING WALLS



NOTE:
THERMAL BREAK ON
THE EXTERIOR FACE
OF STUD WALL, IF
REQ'D. (BY OTHERS)



STUD WALL TO CONC. ATTACHMENT

N.T.S.

12/10/02

NUCONSTEEL™
COMMERCIAL CORP.

PHONE: 940.891.3050
FAX: 940.891.3073
525 SOUTH LOCUST
DENTON, TX 76201

2002 ALL RIGHTS RESERVED

This detail & or details represent proprietary material and are the property of NUCONSTEEL™ Commercial Corp. Reproduction, copying or utilization of this material in whole or in part is prohibited without prior written authorization from NUCONSTEEL™ Commercial Corp. a NUCOR company.

REVISIONS

REVISED BY	DESCRIPTION OF CHANGE	DATE
1 XXX	XXX	00-00-00

DETAIL #	WAF0001
FILE:	Designer Share\Structural Details\WAF\WAF0001.dwg

DRAWN BY: ORIG	CHK'D BY: RWL	DETAIL NAME:	REVISION
DATE: -	DATE: 08-01-02	WALL TO CONCRETE	-