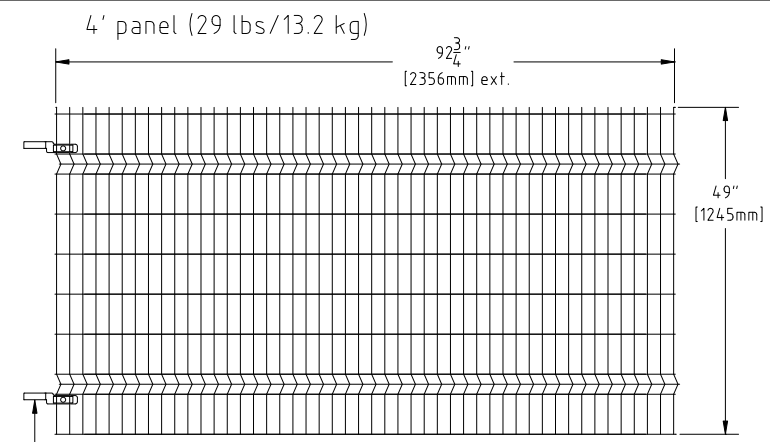
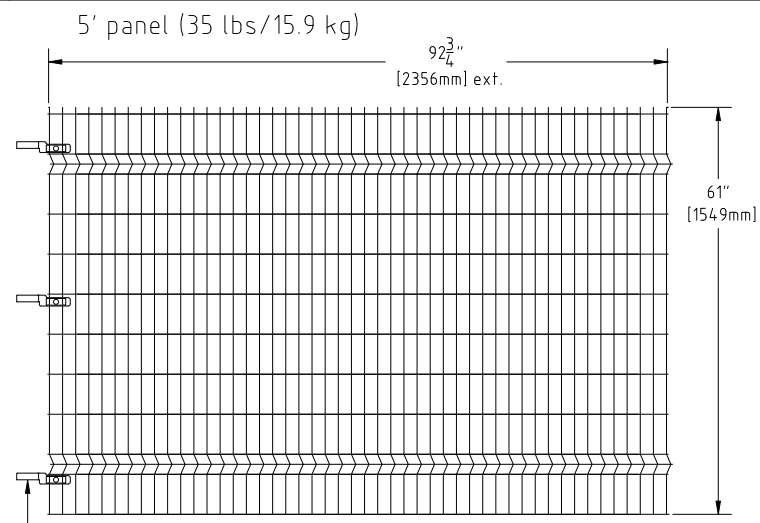
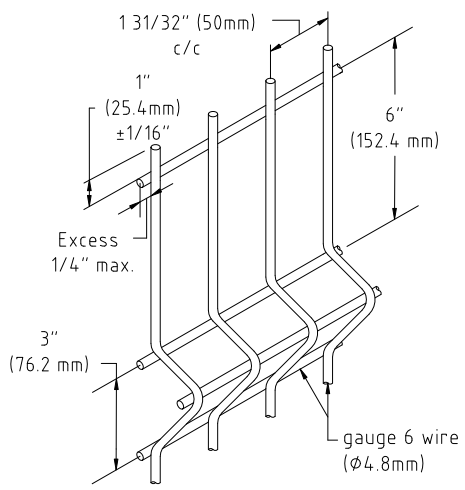


Omega Architectural panels mounted on square posts

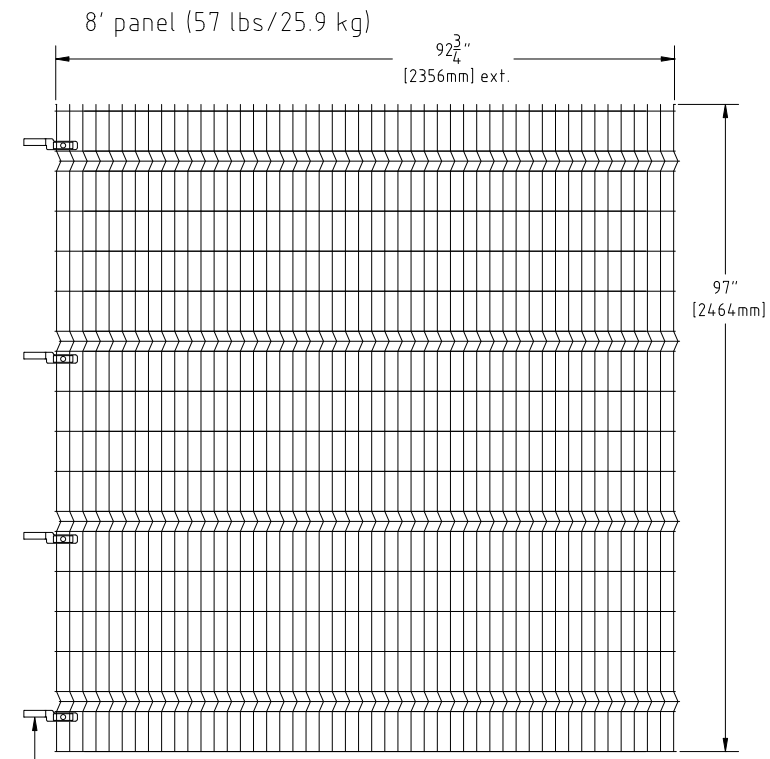
All wires are welded at intersections, galvanized, then polyester powder coated.



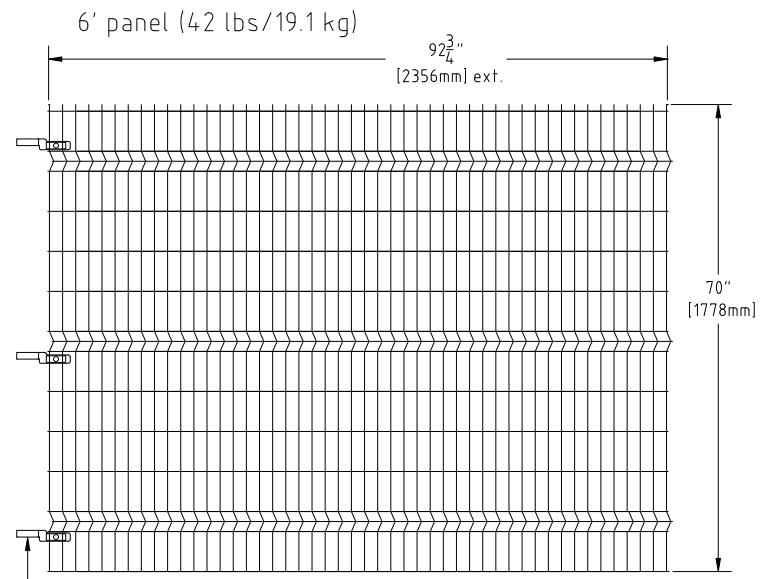
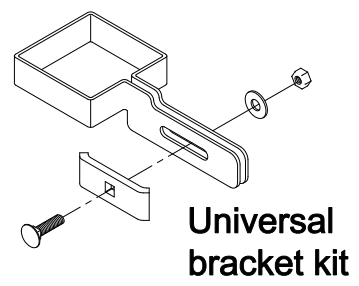
2 Universal brackets on square post



3 Universal brackets on square post



4 Universal brackets on square post



3 Universal brackets on square post

2" post c/c = 97 3/4"
 3" post c/c = 98 3/4"

Tel: 450-686-9600
 800-836-6342
 Fax: 450-681-5318
www.omegafence.com

