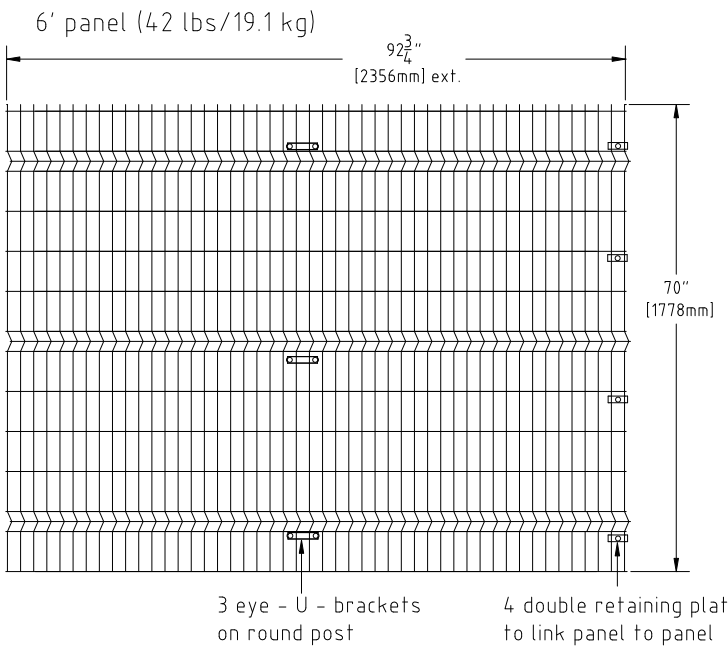
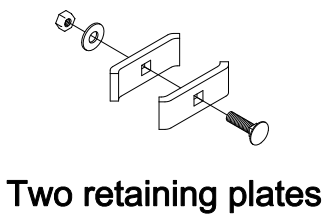
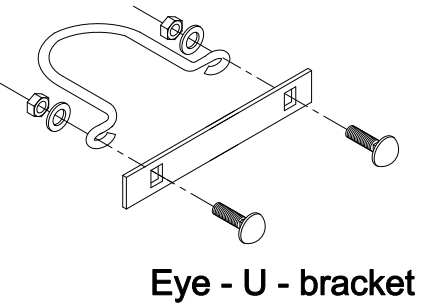
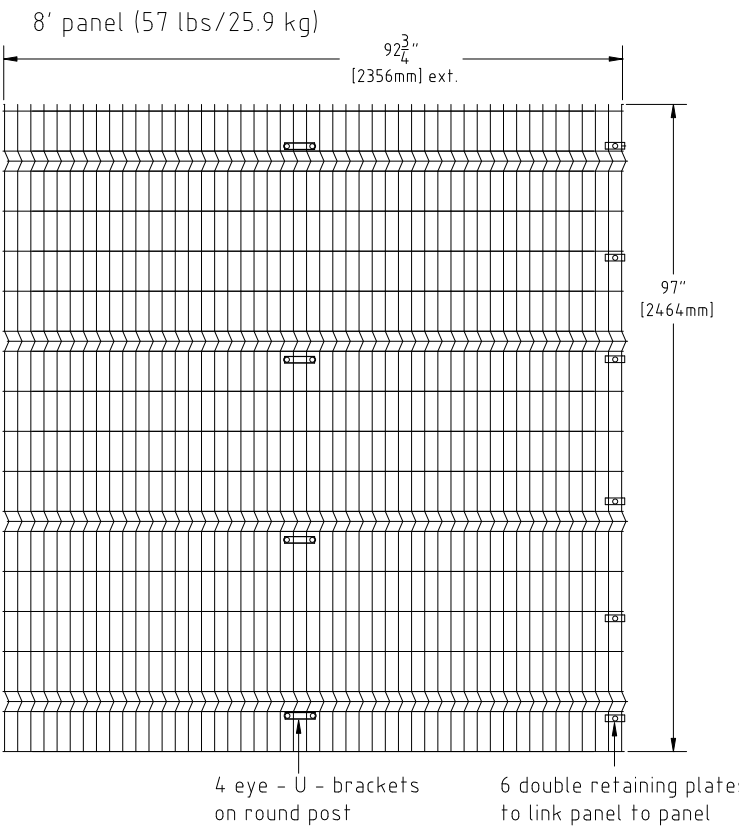
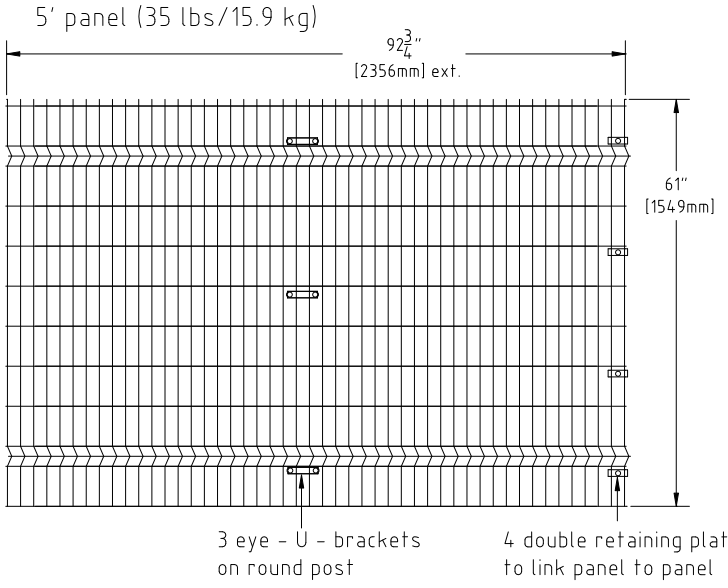
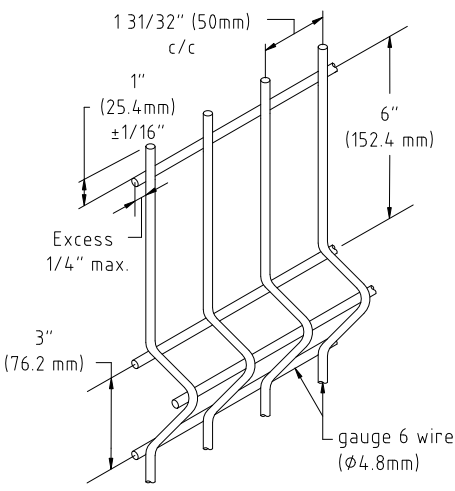
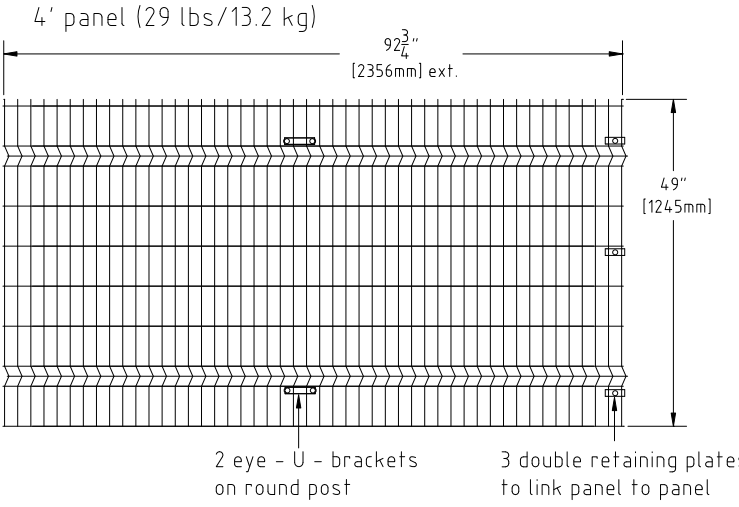


Omega Architectural panels mounted on round posts

All wires are welded at intersections, galvanized, then polyester powder coated.



2 3/8"Ø post c/c = 96"

Tel: 450-686-9600
 800-836-6342
 Fax: 450-681-5318
www.omegafence.com

