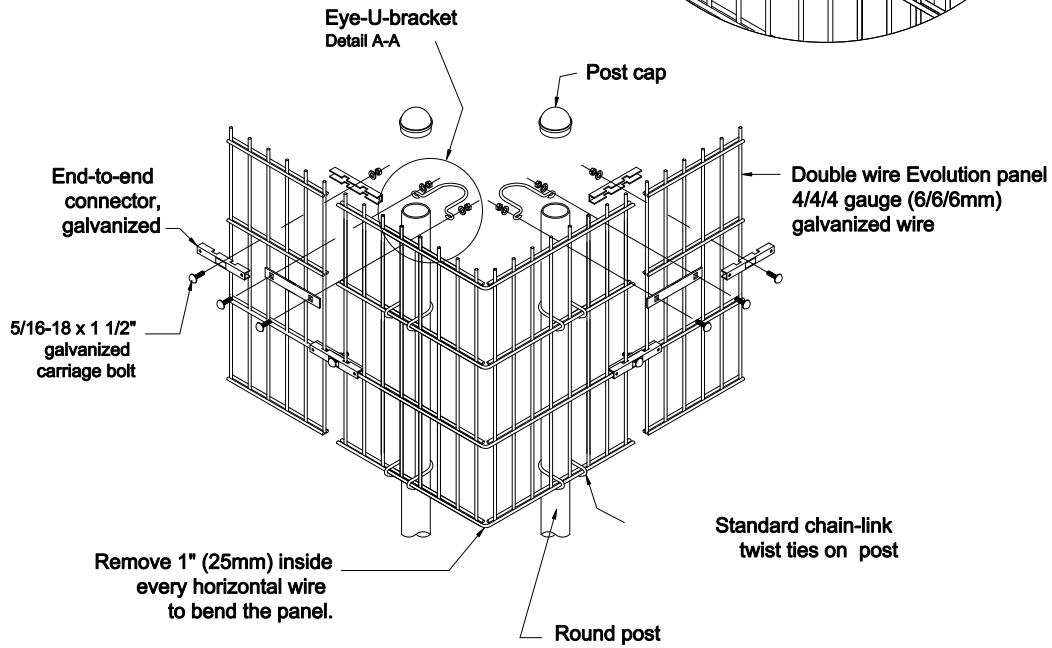
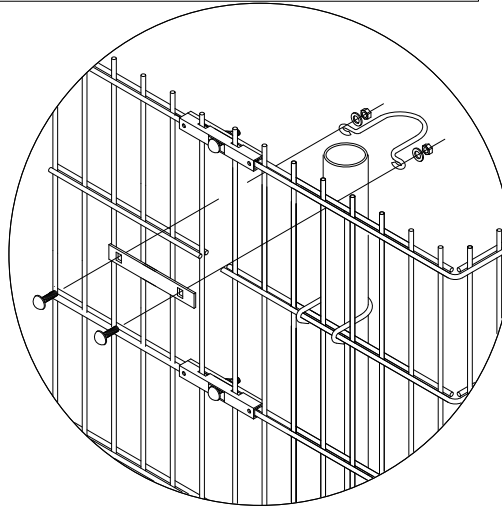


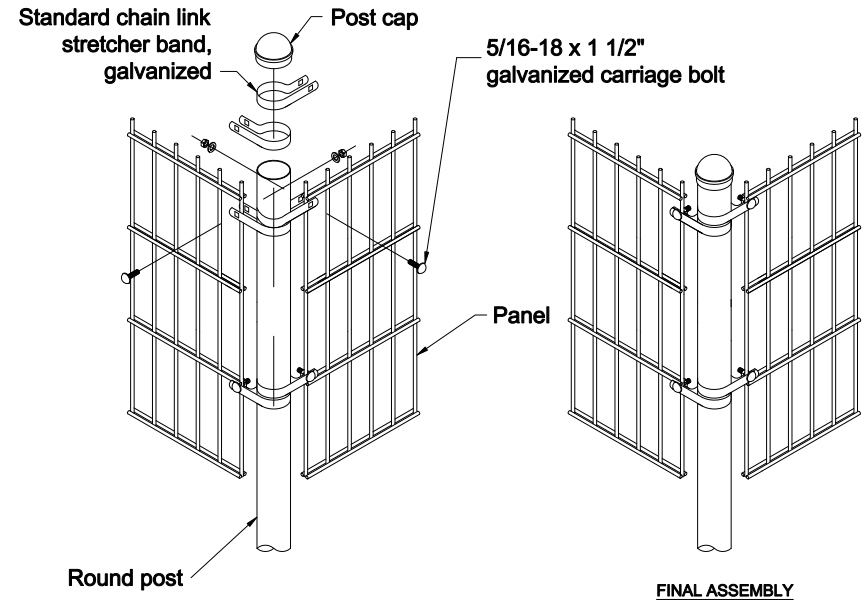
Double wire

Corner installations

Detail A-A



Bent panel installation



Stretcher band installation

Tel: 450-686-9600
800-836-6342
Fax: 450-681-5318
www.omegafence.com

