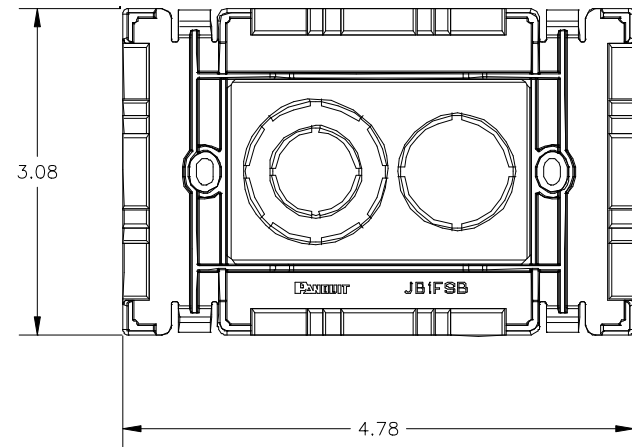
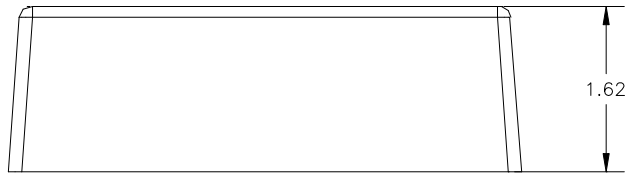


TOP VIEW - COVER



TOP VIEW - BASE



FRONT VIEW - COVER



FRONT VIEW - BASE

FILENAME:		F:\proj\9836897\JUNCTIONBOXES\JB1FS.dwg	
PANDUIT		CORP TINLEY PARK, ILLINOIS	
TITLE:		1 GANG SNAP-TOGETHER JUNCTION BOX (JB1FS) MARKETING DRAWING	
DRAWN BY:	MSQ	SCALE:	FULL
DATE:	3-30-00	DRAWING NO.:	36897-240 (C)

R	3-30-00	MSQ	RELEASED TO PRODUCTION	36897-240
REV	DATE	BY	DESCRIPTION	ECN - R