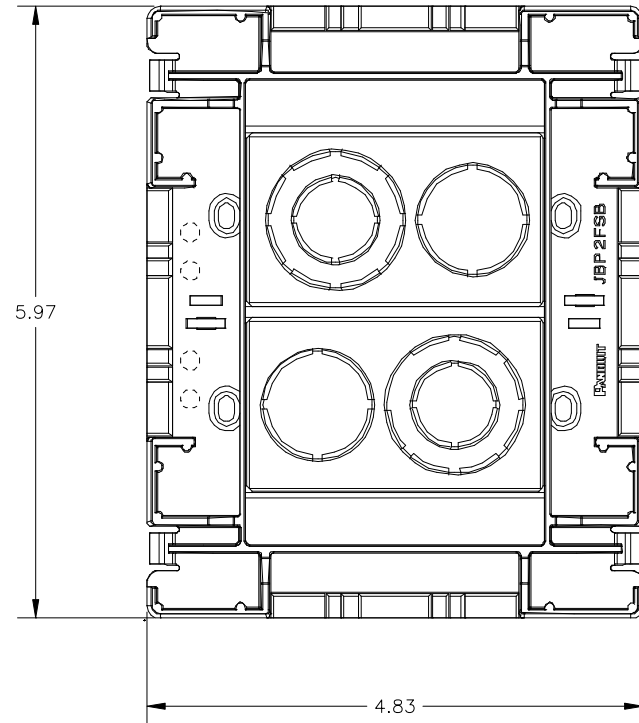


TOP VIEW - COVER



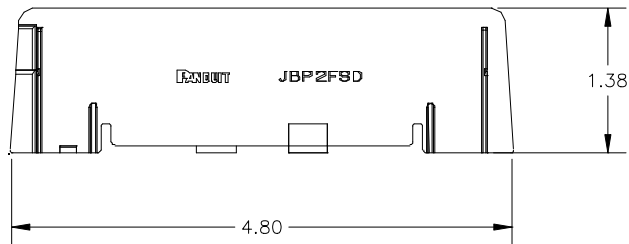
TOP VIEW - BASE



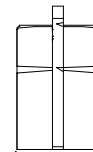
FRONT VIEW - COVER



FRONT VIEW - BASE



FRONT VIEW - DIVIDER



SIDE VIEW - DIVIDER

FILENAME:		F:\proj\9836897\JUNCTIONBOXES\JBP2FS.dwg	
PANDUIT		CORP TINLEY PARK, ILLINOIS	
TITLE:		2 GANG SNAP-TOGETHER JUNCTION BOX WITH DIVIDER (JBP2FS) MARKETING DRAWING	
DRAWN BY:	MSO	SCALE:	FULL
DATE:	3-30-00	DRAWING NO.:	36897-241 (C)

R	3-30-00	MSO	RELEASED TO PRODUCTION	36897-241
REV	DATE	BY	DESCRIPTION	ECN - R