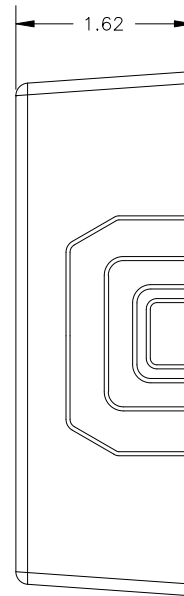
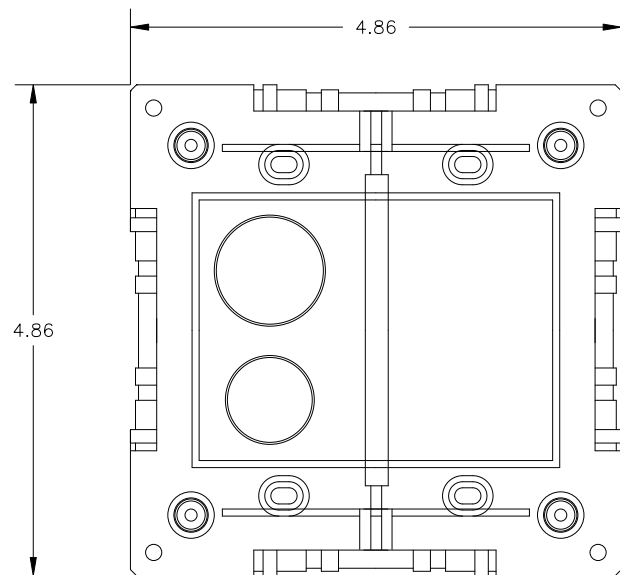


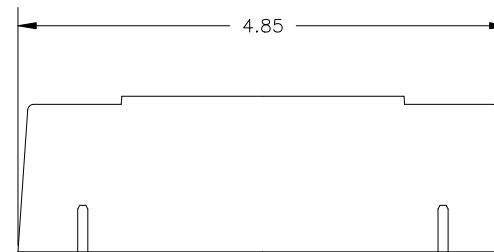
TOP VIEW
COVER



RIGHT SIDE VIEW
COVER



TOP VIEW
BASE



SIDE VIEW
DIVIDER

FILENAME: F:\PROJ\9836897\JUNCTIONBOXES\JBP2S.DWG

PANDUIT CORP TINLEY PARK, ILLINOIS

TITLE: TWO GANG SHALLOW JUNCTION
BOX WITH DIVIDER WALL (JBP2S)
MARKETING DRAWING

1	12/7/99	RABO		A. REVISED JUNCTION BOX TO INCLUDE T45 BREAKOUTS	36897-131
R	2/2/98	RABO	HW	RELEASED TO PRODUCTION	36897-131 HW
REV	DATE	BY	CHK	DESCRIPTION	ECN - R

DRAWN BY:
RABO
DATE:
2/2/99

SCALE:
FULL
DRAWING NO.
36897-131 C