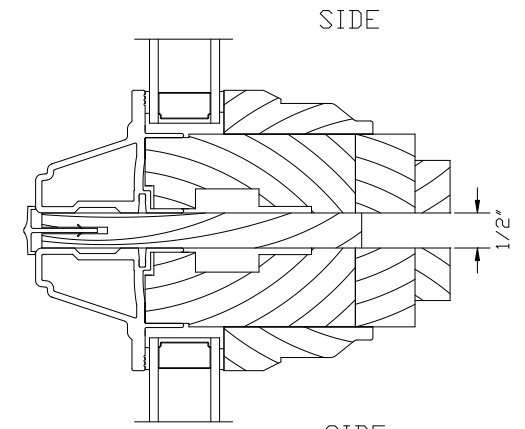
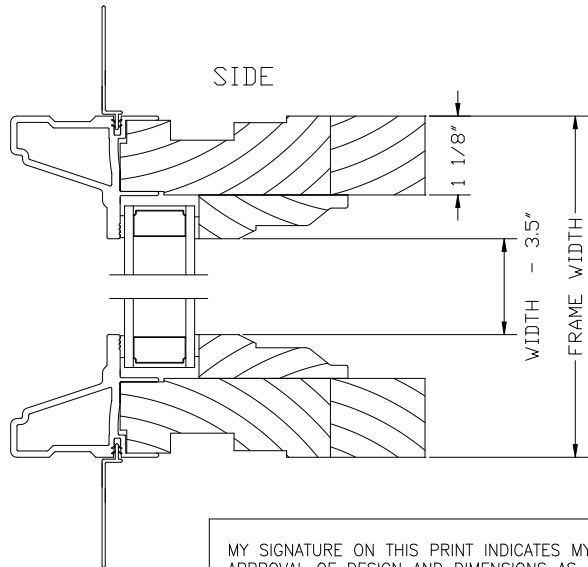


VERTICAL MULL

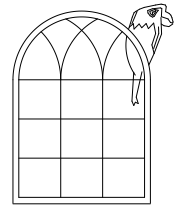
CLAD DIRECT SET COMPATABLE  
WITH ANDERSEN CLADDING SYSTEM



HORIZONTAL MULL

MY SIGNATURE ON THIS PRINT INDICATES MY APPROVAL OF DESIGN AND DIMENSIONS AS SHOWN AND I AUTHORIZE PRODUCTION OF SAME. DELIVERY DATE WILL NOT BE ASSIGNED UNTIL AUTHORIZED WRITTEN APPROVAL IS RECEIVED.

CUSTOMER \_\_\_\_\_  
BY \_\_\_\_\_  
DATE \_\_\_\_\_



|   |  |               |                     |
|---|--|---------------|---------------------|
|   |  | DETAIL:       | DATE:<br>11/14/06   |
|   |  |               | SCALE:<br>3/8       |
| Parrett Windows<br>Quality Crafted Specialty Windows<br>PARRETT MFG., INC. 810 2nd Ave. East<br>P.O. Box 440, Dorchester, WI 54425<br>Phone (715)654-6444 FAX (715)654-6555 |  | DR BY:<br>VJL | REF. NO.            |
|   |  | CK'D BY:      | DWG. NO.<br>1125AFC |