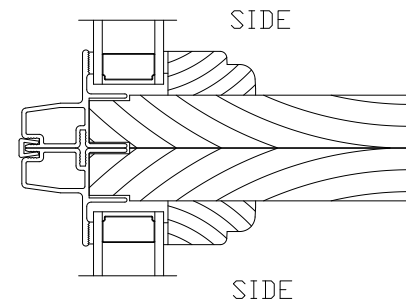
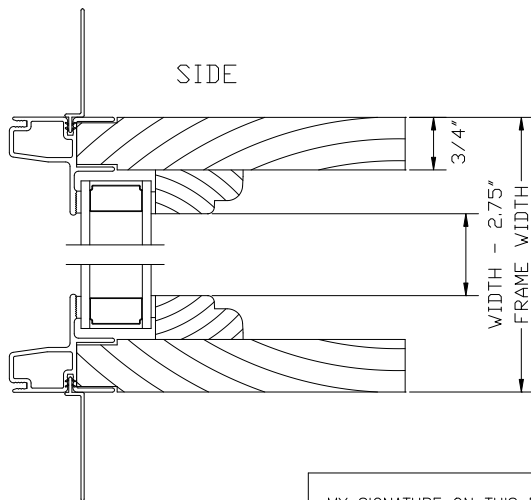


VERTICAL MULL

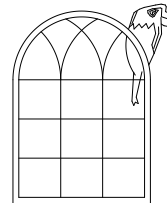
CLAD DIRECT SET COMPATABLE
WITH HURD CLADDING SYSTEM



HORIZONTAL MULL

MY SIGNATURE ON THIS PRINT INDICATES MY APPROVAL OF DESIGN AND DIMENSIONS AS SHOWN AND I AUTHORIZE PRODUCTION OF SAME. DELIVERY DATE WILL NOT BE ASSIGNED UNTIL AUTHORIZED WRITTEN APPROVAL IS RECEIVED.

CUSTOMER _____
BY _____
DATE _____



Parrett Windows
Quality Crafted Specialty Windows
PARRETT MFG., INC. 810 2nd Ave. East
P.O. Box 440, Dorchester, WI 54425
Phone (715)654-6444 FAX (715)654-6555

DR BY: VJL
CK'D BY:

DETAIL: DATE: 11/13/06

SCALE: 3/8

REF. NO.

DWG. NO.

0750ACH