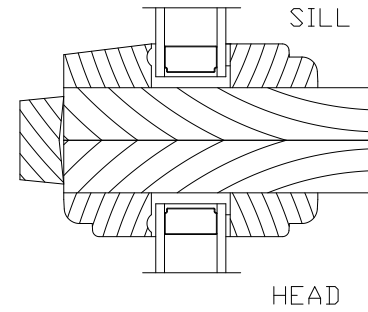
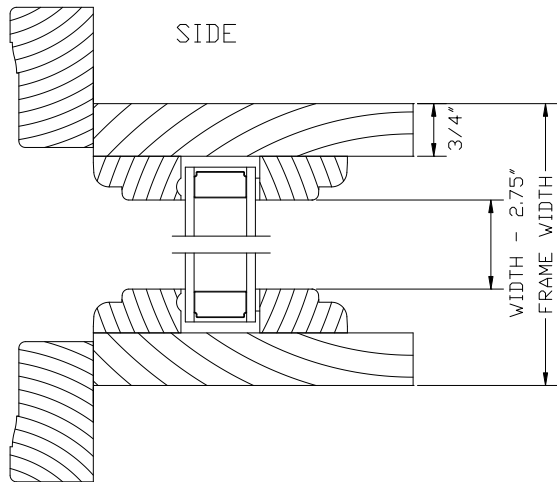
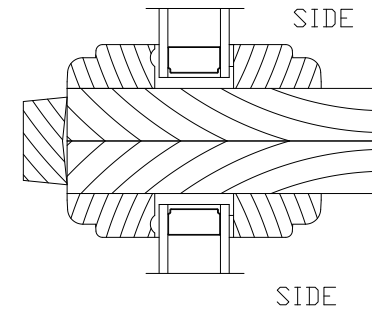


WOOD DIRECT SET



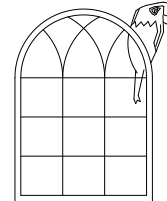
VERTICAL MULL



HORIZONTAL MULL

MY SIGNATURE ON THIS PRINT INDICATES MY APPROVAL OF DESIGN AND DIMENSIONS AS SHOWN AND I AUTHORIZE PRODUCTION OF SAME. DELIVERY DATE WILL NOT BE ASSIGNED UNTIL AUTHORIZED WRITTEN APPROVAL IS RECEIVED.

CUSTOMER \_\_\_\_\_  
 BY \_\_\_\_\_  
 DATE \_\_\_\_\_



		DETAIL:	DATE: 11/13/06
			SCALE: 3/8
Parrett Windows Quality Crafted Specialty Windows PARRETT MFG., INC. 810 2nd Ave. East P.O. Box 440, Dorchester, WI 54425 Phone (715)654-6444 FAX (715)654-6555		DR BY: VJL	REF. NO.
		CK'D BY:	DWG. NO. 0750WD