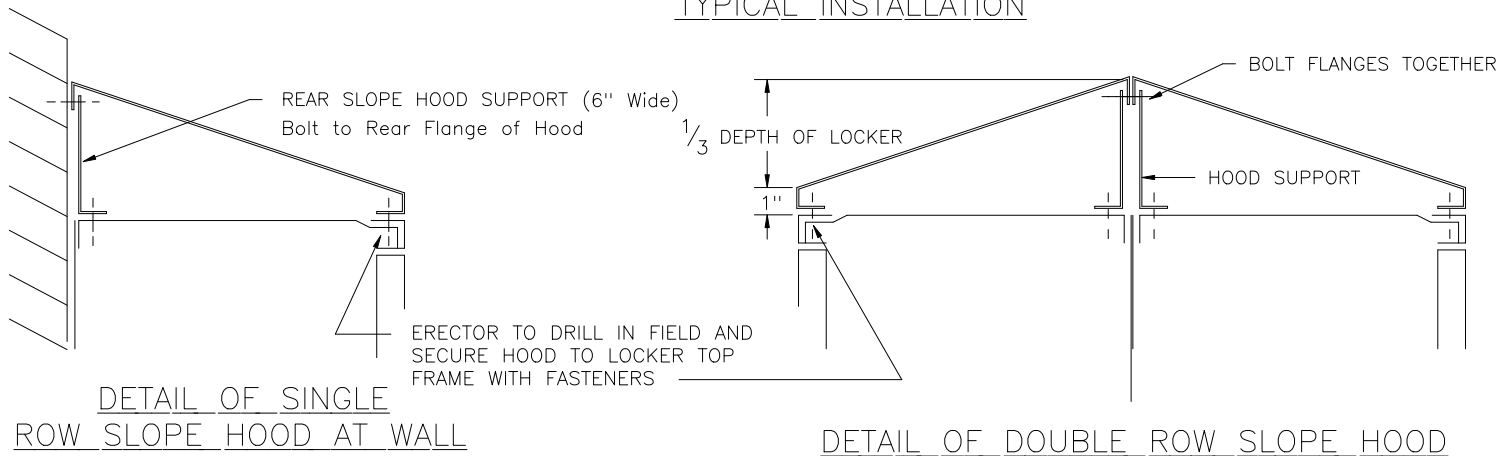


TYPICAL INSTALLATION



SLOPE HOOD INSTALLATION DETAILS

This drawing shows a standard Penco Product. Any modifications to the product must be approved by Penco Engineering. 8/6/2001



HOODS.dwg