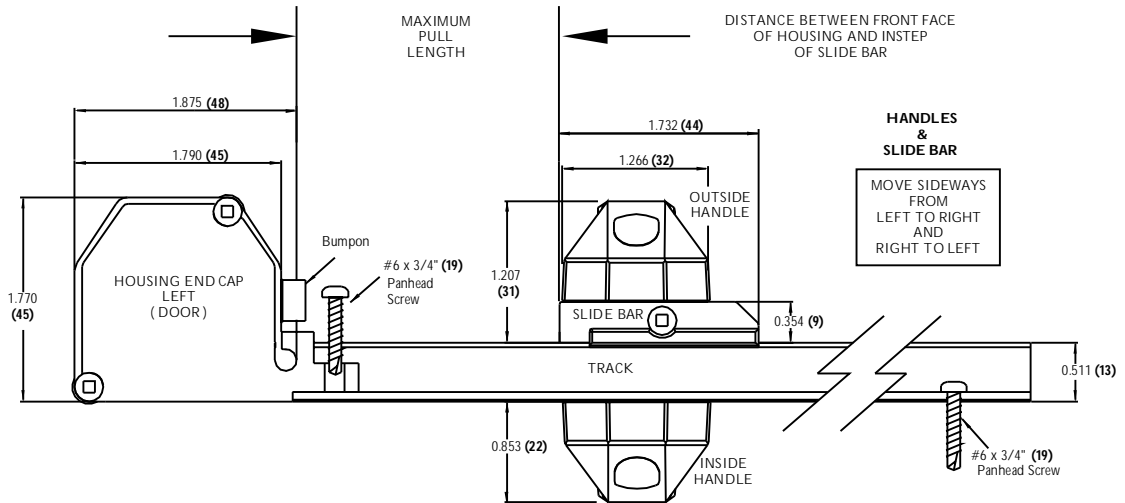


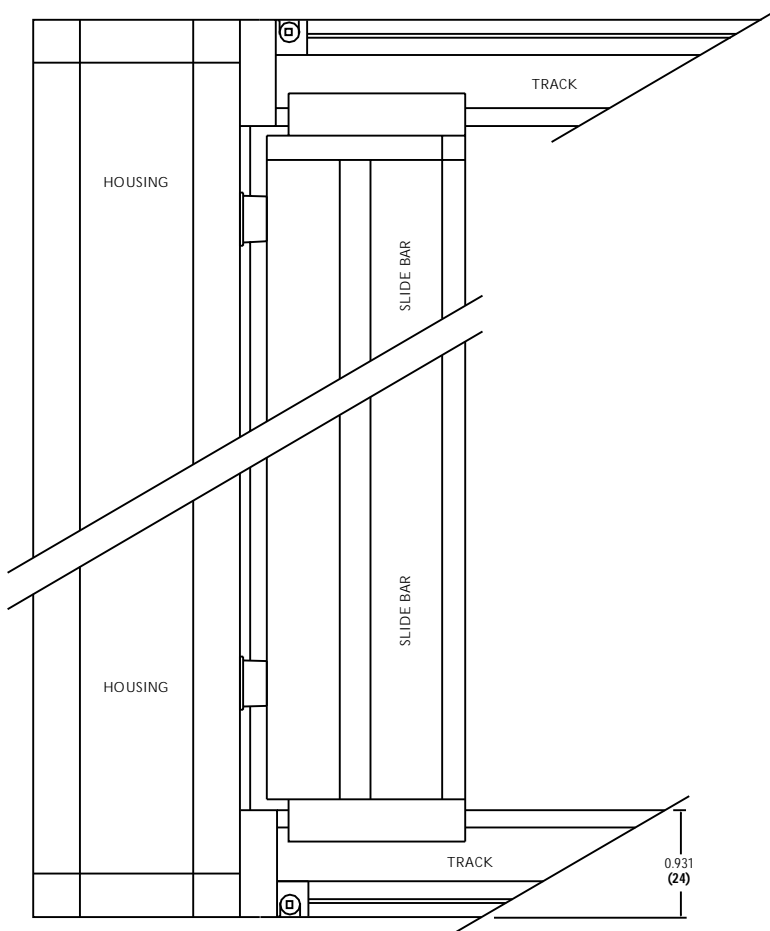
Professional Door Design Specifications

Detail Views

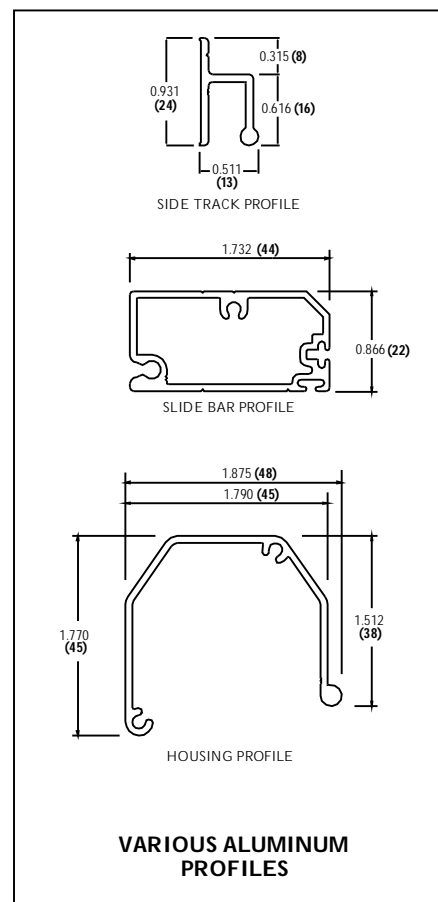
All Dimensions Are Shown In Inches Millimeters In Brackets



BOTTOM VIEW



FRONT VIEW



VARIOUS ALUMINUM PROFILES

Creator: NDR	Date: 01/24/12	Revision: Rev:
Drawing Title: PSPROPRODESIGNSPEC02		
© 2012 Phantom Mfg. Intl Ltd.		Scale: N.T.S.