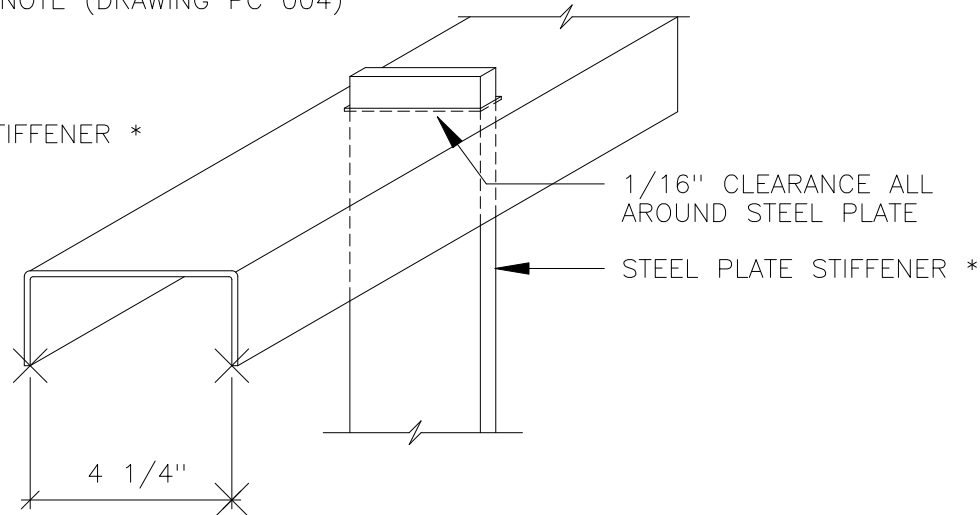


SEE NOTE (DRAWING PC 004)



GLASSBLOCK AND PANEL ANCHOR NOT SHOWN FOR CLARITY.

NOTE: PANELS WITH AN EXPANSION JOINT STIFFENER INCORPORATING A VERTICAL HIDDEN PLATE SHOULD BE LIMITED TO A MAXIMUM OF 10' IN HEIGHT.

* STIFFENER SHOULD MOUNT TO SILL. ALLOW 1/16" CLEARANCE FOR STIFFENER AND CHANNEL. USE FOR DESIGN CONCEPT ONLY.

○ INTERMEDIATE VERTICLE SUPPORT IN MULTIPLE HORIZONTAL PANELS