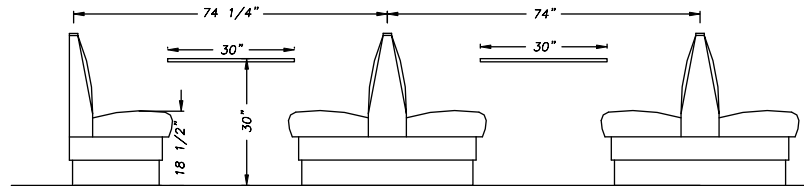
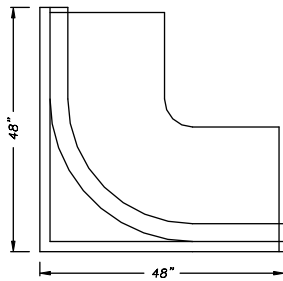


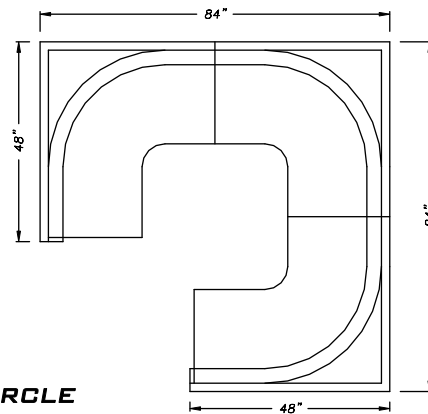
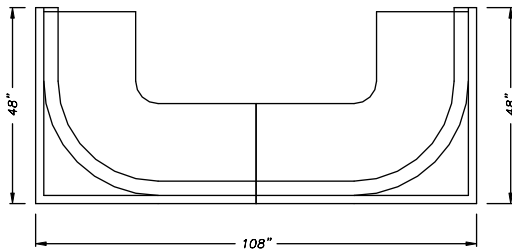
COMBINATION SINGLE/SINGLE BOOTH

SINGLE/DOUBLE/SINGLE

1/4 CIRCLE



SINGLE/ DOUBLE/SINGLE



3/4 CIRCLE

1/2 CIRCLE

Customer: **CUSTOMER NAME HERE**

Project: **PROJECT NAME HERE**

Fixture: _____

Project Number: # _____

Date: _____

Drafter: _____



1-800-PLYMOLD
 (763-6653)
 625 CENTENNIAL DRIVE, KENYON, MN 55946
 1800 WEST 94TH STREET, BLOOMINGTON, MN 55431