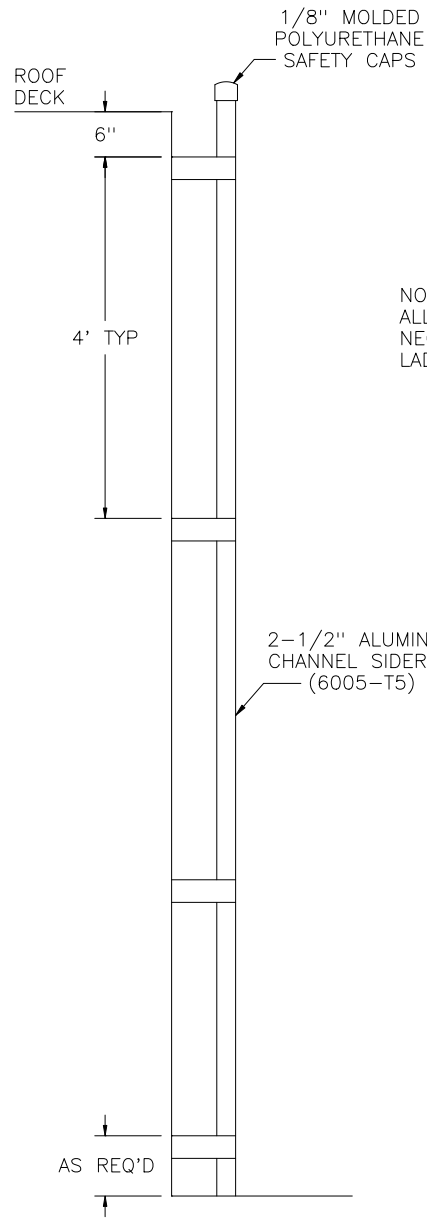
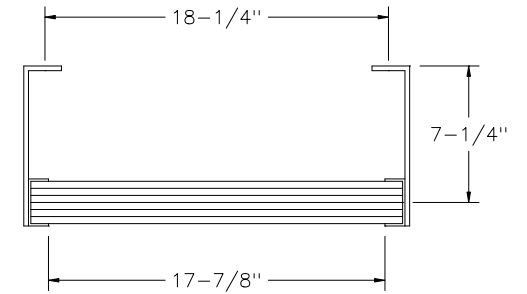
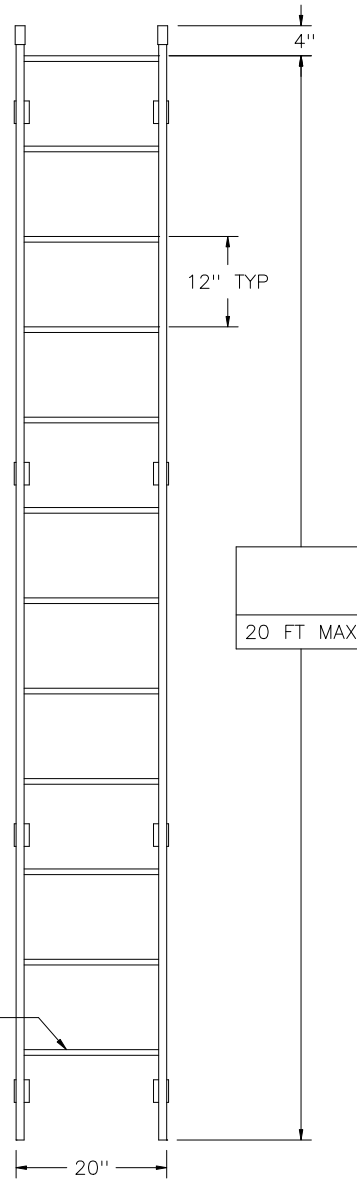


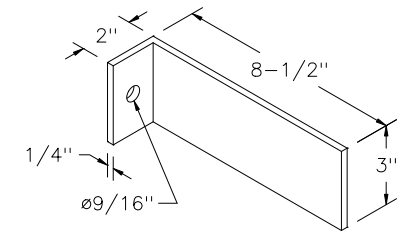
VERTICAL LADDER TO HATCH



NOTE:
ALL BOLTS/FASTENERS
NECESSARY TO ANCHOR
LADDER ARE BY OTHERS.



PLAN



BRACKET DETAIL

FACTORY FINISH
ALUMINUM-MILL FINISH

FL-02

 Precision Ladders, LLC
P.O. BOX 2279 Morristown, TN 37816-2279
Ph: (423) 586-2265 Fax: (423) 586-2091
www.PrecisionLadders.com

WORK ORDER: ()	DWG. CHECK	ARCH'T OR ENG'R.	PROJECT		PRECISION REP
	BUILT BY:	PURCHASE ORDER	REVISION	PURCHASER	SERIAL#
	CHECKED BY:	DRAWN BY:	DATE	MODEL#	QTY.
		JEB	11/30/04	FL-	