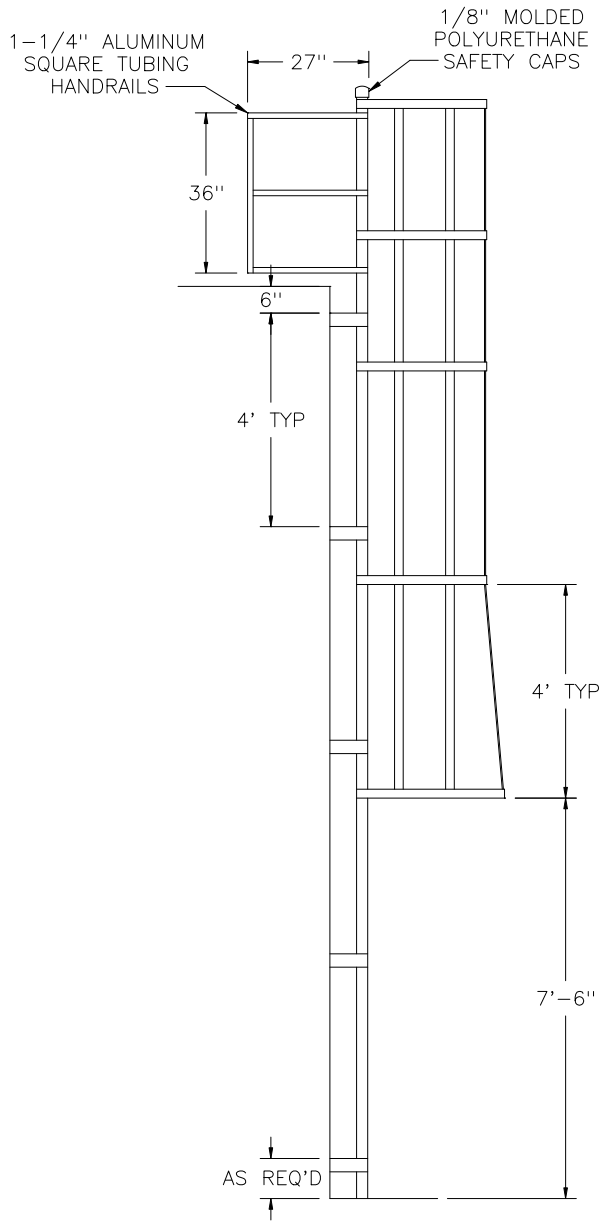
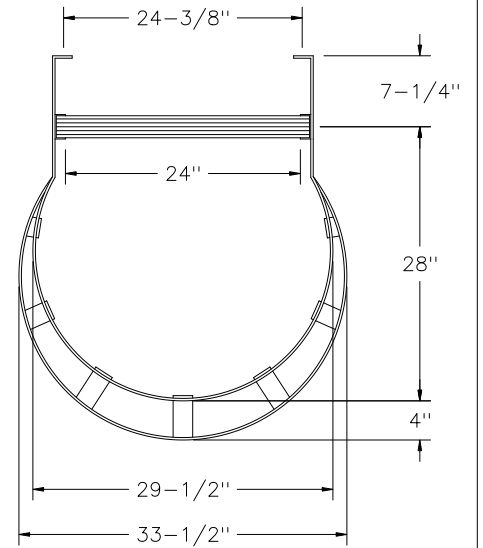
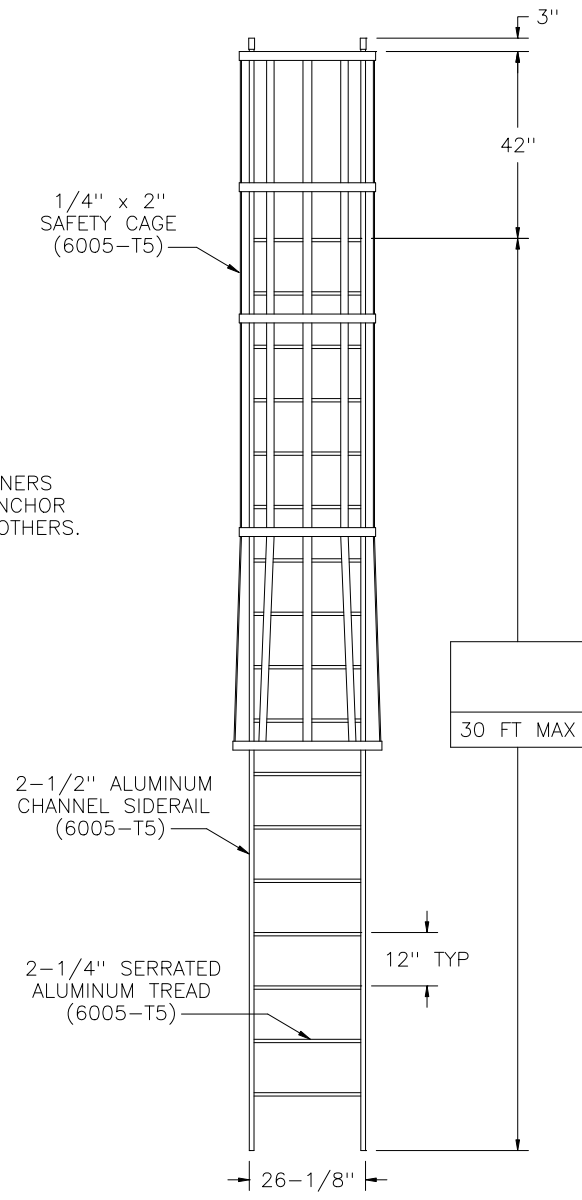


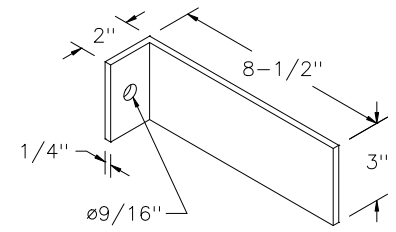
VERTICAL CAGED LADDER WITH WALK-THRU/ ROOF-OVER



NOTE:
ALL BOLTS/FASTENERS
NECESSARY TO ANCHOR
LADDER ARE BY OTHERS.



PLAN
(HANDRAILS OMITTED FOR CLARITY)



BRACKET DETAIL

FACTORY FINISH
ALUMINUM-MILL FINISH

FL-09

	DWG. CHECK	ARCH'T OR ENGR.	PROJECT		PRECISION REP
	BUILT BY:	PURCHASE ORDER	REVISION	PURCHASER	SERIAL#
	CHECKED BY:	DRAWN BY:	DATE	MODEL#	QTY.
		JEB	12/1/04	FL-	
Precision Ladders, LLC P.O. BOX 2279 Morristown, TN 37816-2279 Ph: (423) 586-2265 Fax: (423) 586-2091 www.PrecisionLadders.com					