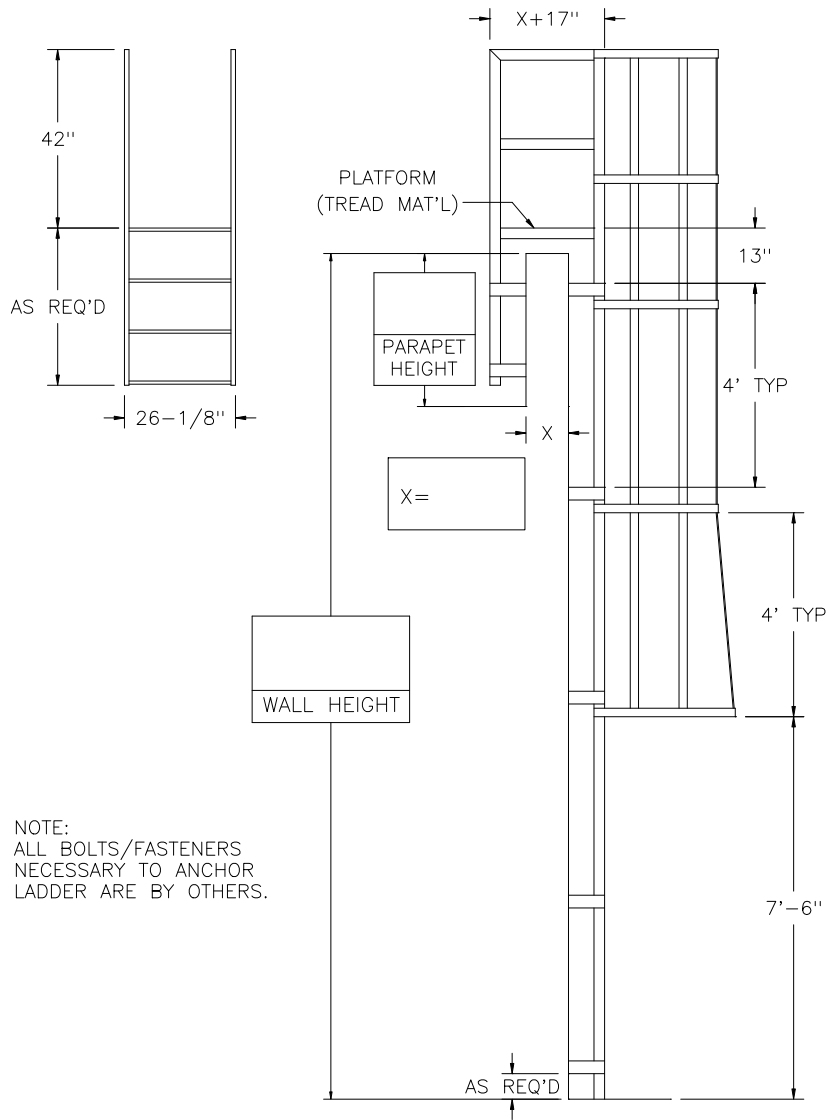
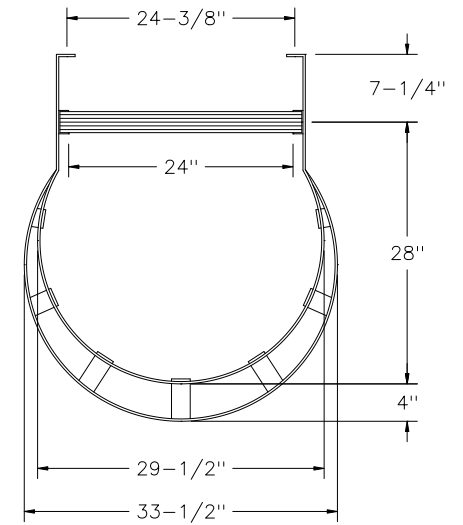
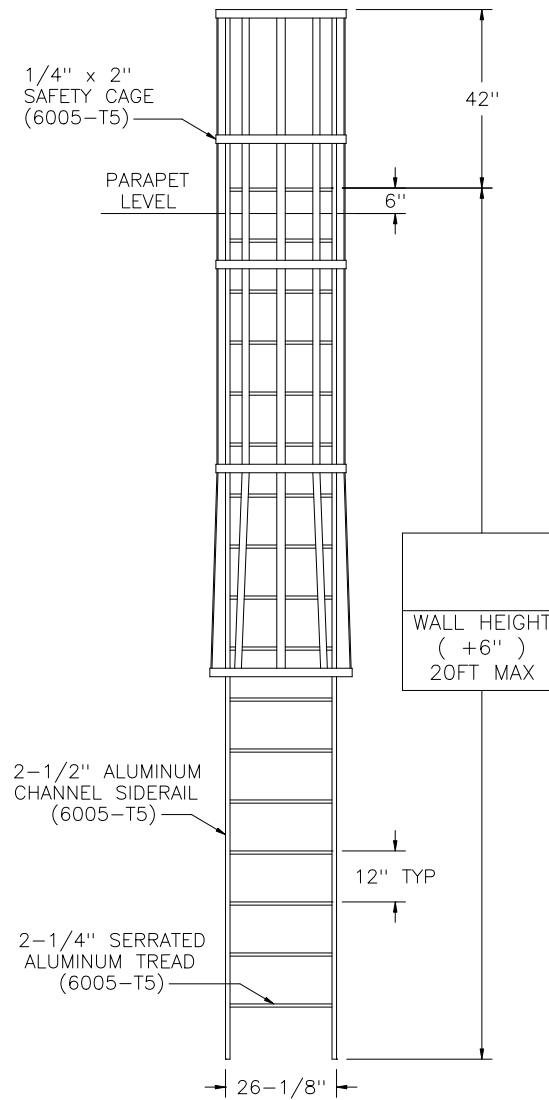


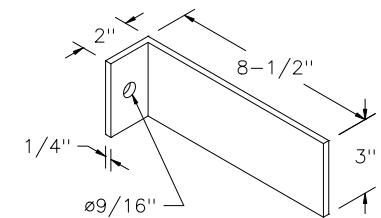
VERTICAL CAGED LADDER WITH PARAPET PLATFORM AND RETURN LADDER



NOTE:
ALL BOLTS/FASTENERS
NECESSARY TO ANCHOR
LADDER ARE BY OTHERS.



PLAN
(PARAPET PLATFORM & RETURN
LADDER ARE OMITTED FOR CLARITY)



BRACKET DETAIL

FACTORY FINISH
ALUMINUM-MILL FINISH

FL-12


Precision Ladders, LLC
 P.O. BOX 2279 Morristown, TN 37816-2279
 Ph: (423) 586-2265 Fax: (423) 586-2091
 www.PrecisionLadders.com

WORK ORDER: ()	DWG. CHECK	ARCH'T OR ENGR.	PROJECT		PRECISION REP
	BUILT BY:	PURCHASE ORDER	REVISION	PURCHASER	SERIAL#
	CHECKED BY:	DRAWN BY: JEB	DATE 12/1/04	MODEL# FL-	QTY. 1