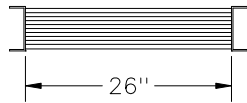
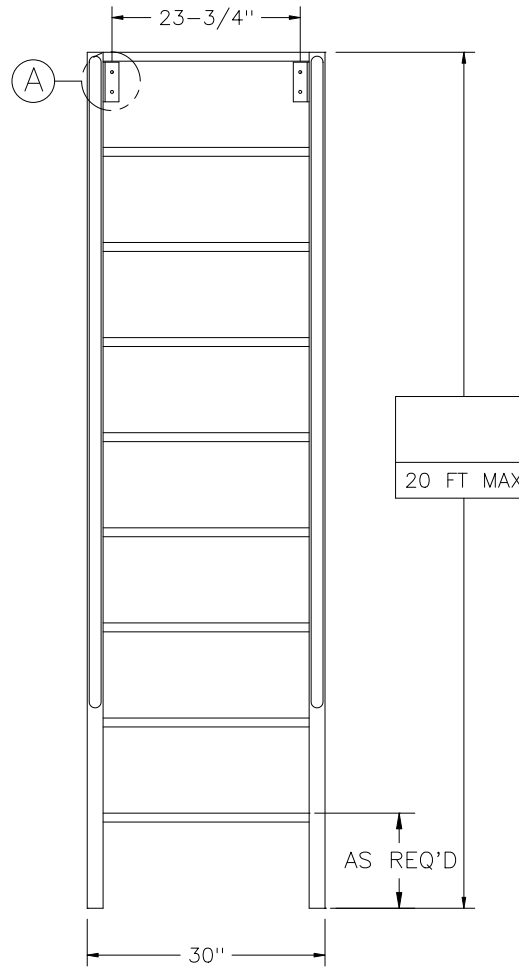
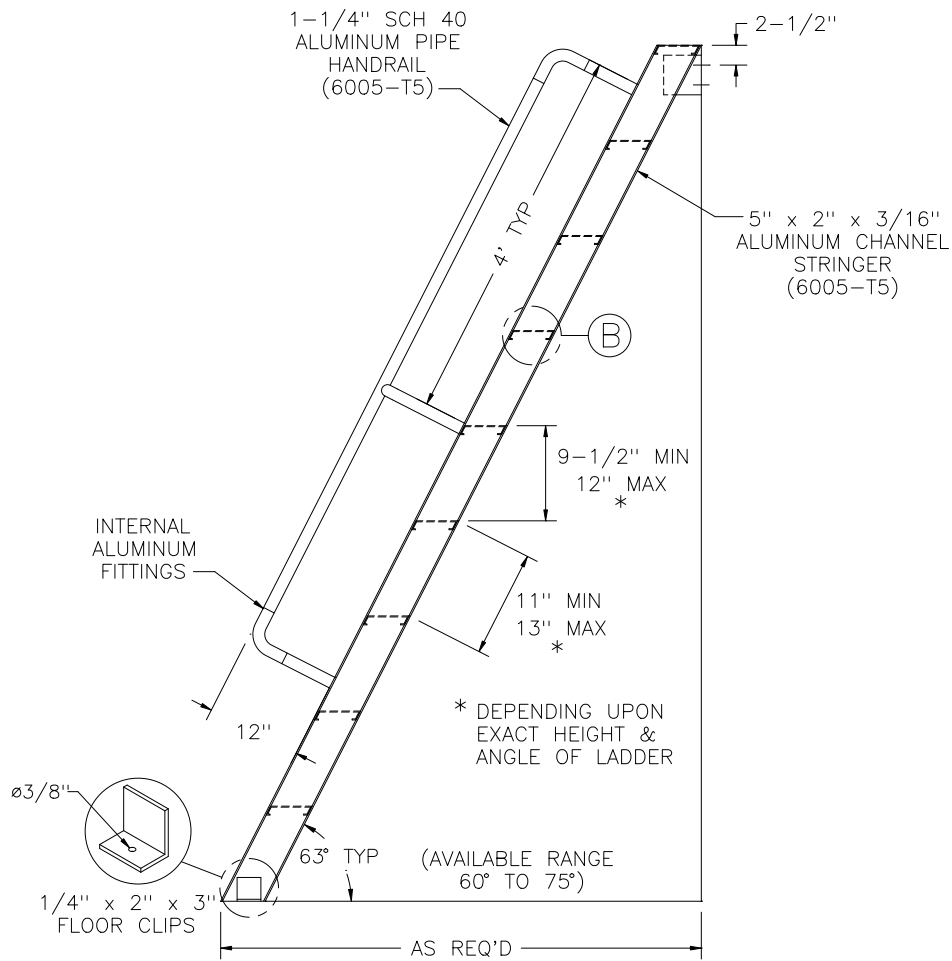


ALUMINUM SHIPS LADDER TO HATCH

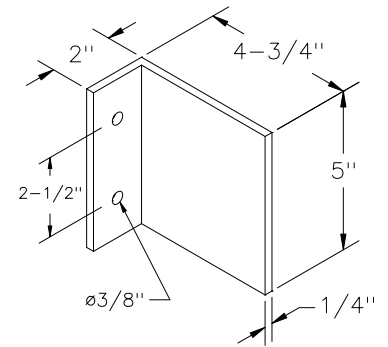


PLAN

NOTE:
ALL BOLTS/FASTENERS
NECESSARY TO ANCHOR
LADDER ARE BY OTHERS.

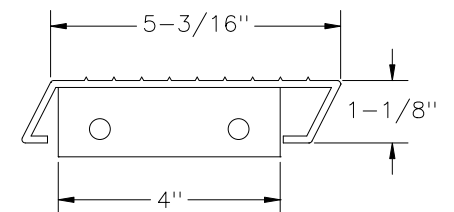


Ⓐ MOUNTING BRACKET (6005-T5)



BRACKET WELDED TO INSIDE OF STRINGER

Ⓑ ALUMINUM TREAD (6005-T5)



1-1/4" x 1-1/4" x 1/4" ANGLE WELDED TO TREAD

TREAD WELDED AND BOLTED TO STRINGER WITH 1/4" ROUND HEAD BOLTS

FACTORY FINISH
ALUMINUM-MILL FINISH

SL-01

 Precision Ladders, LLC
P.O. BOX 2279 Morristown, TN 37816-2279
Ph: (423) 586-2265 Fax: (423) 586-2091
www.PrecisionLadders.com

| | | | | | |
|-----------------|-------------|-----------------|----------|-----------|---------------|
| WORK ORDER: () | DWG. CHECK | ARCH'T OR ENGR. | PROJECT | | PRECISION REP |
| | BUILT BY: | PURCHASE ORDER | REVISION | PURCHASER | SERIAL# |
| | CHECKED BY: | DRAWN BY: | DATE | MODEL# | QTY. |
| | | JEB | 12/1/04 | SL- | |