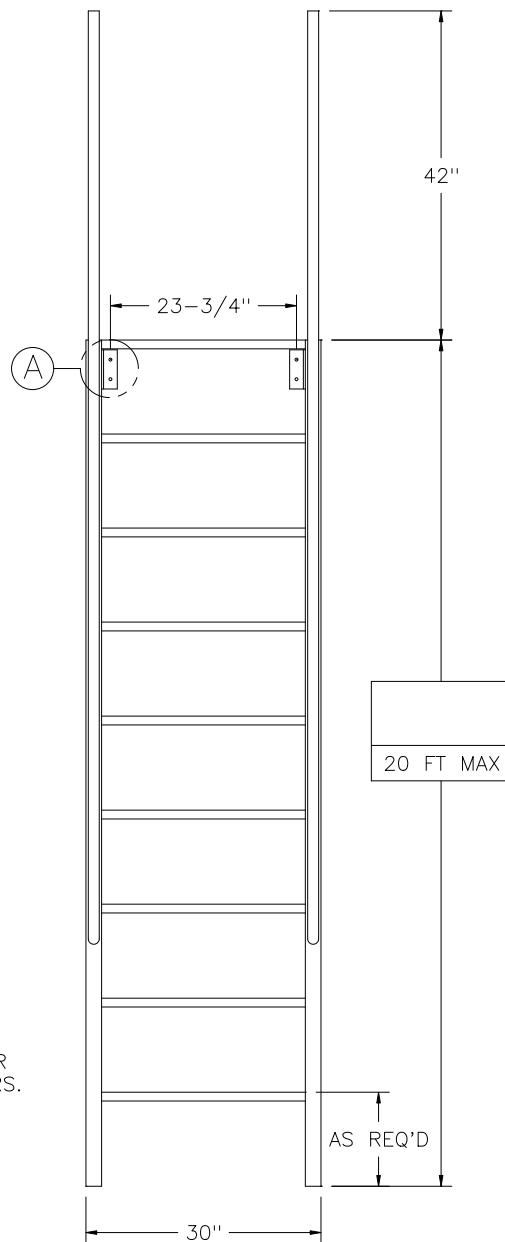
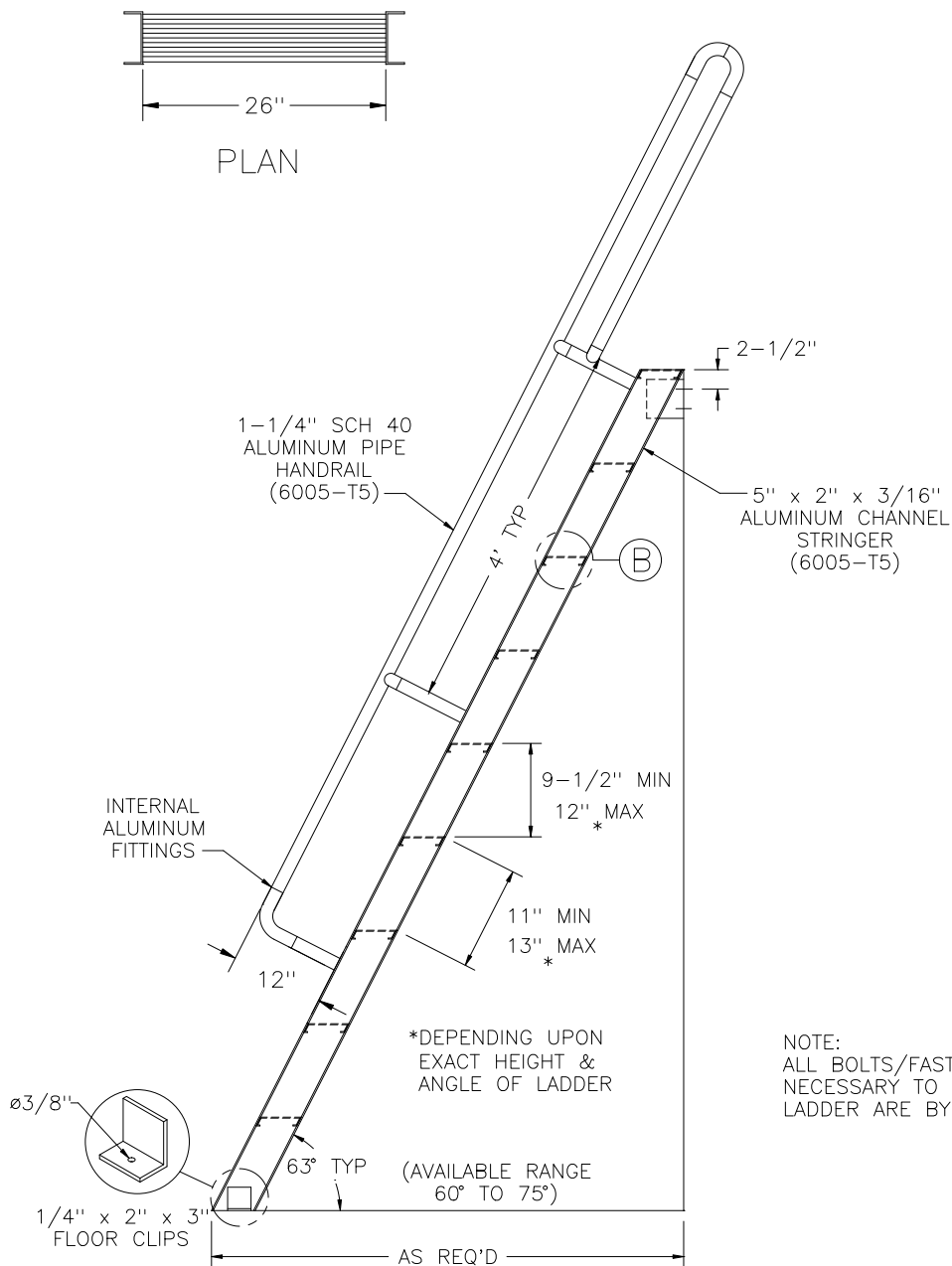
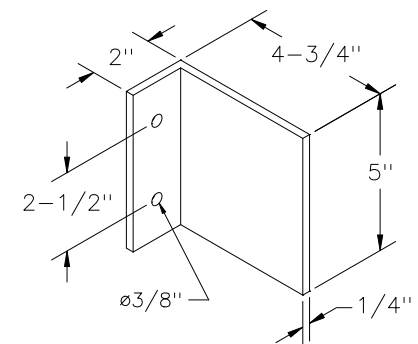


ALUMINUM SHIPS LADDER TO LANDING

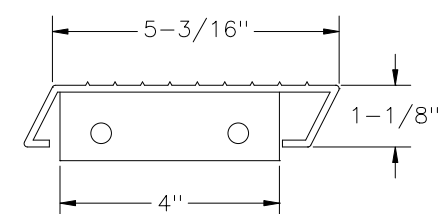


(A) MOUNTING BRACKET (6005-T5)



BRACKET WELDED TO INSIDE OF STRINGER

(B) ALUMINUM TREAD (6005-T5)



1-1/4" x 1-1/4" x 1/4" ANGLE WELDED TO TREAD

TREAD WELDED AND BOLTED TO STRINGER WITH 1/4" ROUND HEAD BOLTS

FACTORY FINISH
ALUMINUM-MILL FINISH

NOTE:
ALL BOLTS/FASTENERS NECESSARY TO ANCHOR LADDER ARE BY OTHERS.