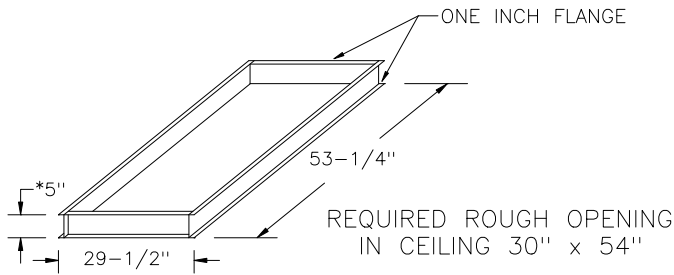


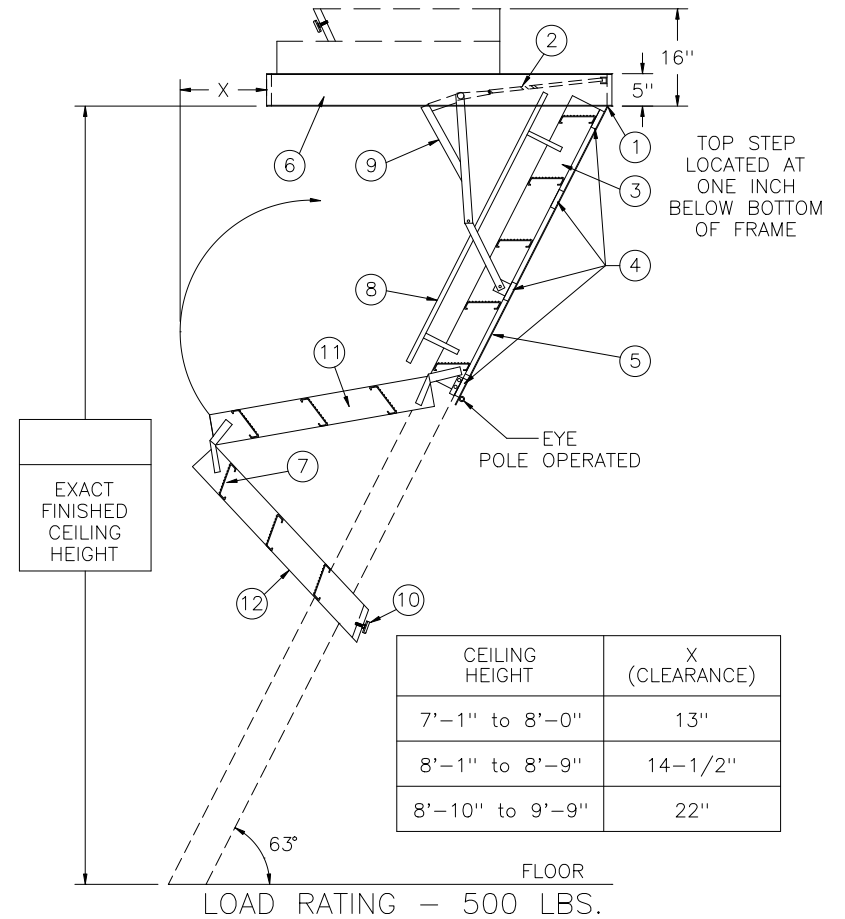
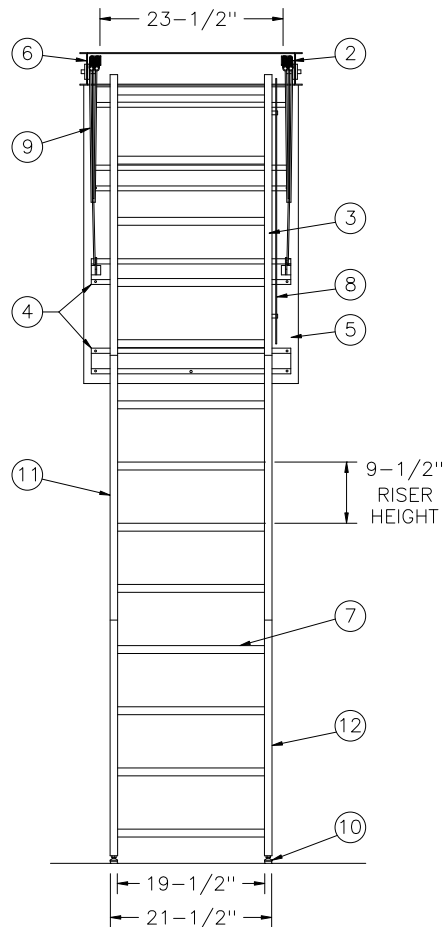
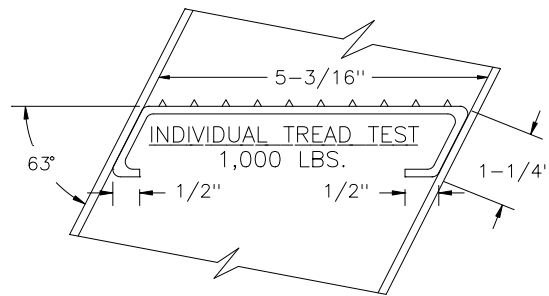
PRECISION SUPER SIMPLEX DISAPPEARING STAIRWAY TO ATTIC

(SHIPS COMPLETELY ASSEMBLED AS ONE UNIT)



STEEL BOX FRAME

1/8" STEEL, FORMED CHANNEL, 5" HIGH WHEN USING ALUMINUM DOOR PANEL,
 *(6" HIGH WHEN USING 2HR FIRE RATED ASSEMBLY WHICH IS RECESSED INTO FRAME FLUSH WITH THE BOTTOM FLANGE)



NOTES

IF FLOOR ABOVE IS MORE THAN 12" ABOVE CEILING LINE, 63 DEGREE ANGLE FRAME IS RECOMMENDED.

DIMENSIONS ON THIS DRAWING PERTAIN ONLY TO CEILING HEIGHTS 9'-9" OR LESS.

OPTIONS

- 2 HOUR FIRE RATED ASSEMBLY
- LOCK ON DOOR PANEL

LADDER LEGEND

- 1. STEEL PIANO DOOR HINGE
- 2. DOUBLE SPRING ACTION
- 3. SIDE RUNNER 5" ALUM.
- 4. BATTEN 1/8" ALUM.
- 5. DOOR PANEL 1/8" ALUM.
- 6. STEEL BOX FRAME
- 7. TREAD (SERRATED ALUM.)
- 8. HANDRAIL BOTH SIDES
- 9. EXTRA HEAVY OPERATING ARM
- 10. ADJUSTABLE FOOT
- 11. MIDDLE SECTION
- 12. BOTTOM SECTION

NOT TO SCALE

SS-1V

<p>Precision Ladders, LLC P.O. BOX 2279 Morristown, TN 37816-2279 Ph: (423) 586-2265 Fax: (423) 586-2091 www.PrecisionLadders.com</p>	WORK ORDER: ()	DWG. CHECK	ARCH'T OR ENGR.	PROJECT	PRECISION REP	
		BUILT BY:	PURCHASE ORDER	REVISION	PURCHASER	
		CHECKED BY:	DRAWN BY:	DATE	MODEL#	QTY.
			JEB	11/30/04	SS/AL-	