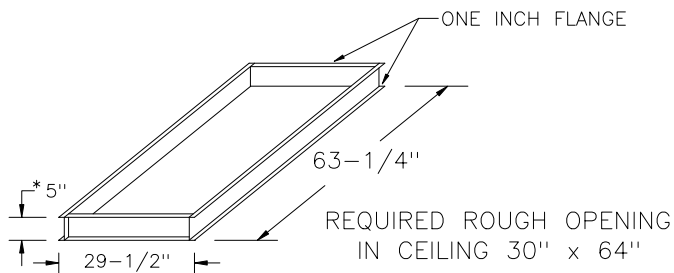


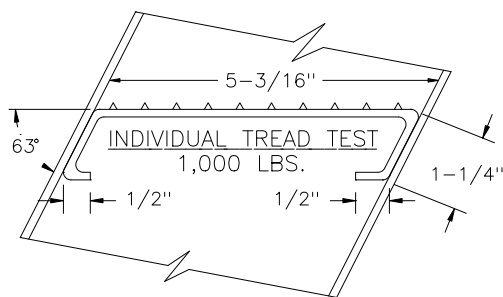
PRECISION SUPER SIMPLEX DISAPPEARING STAIRWAY TO ATTIC

(SHIPS COMPLETELY ASSEMBLED AS ONE UNIT)



STEEL BOX FRAME

1/8" STEEL, FORMED CHANNEL, 5" HIGH WHEN USING ALUMINUM DOOR PANEL,
 *(6" HIGH WHEN USING 2HR FIRE RATED ASSEMBLY WHICH IS RECESSED INTO FRAME FLUSH WITH THE BOTTOM FLANGE)

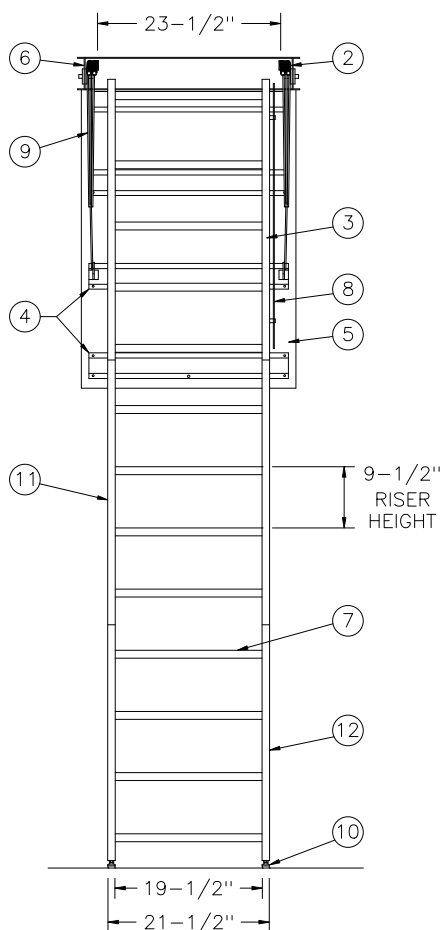


NOTES

IF FLOOR ABOVE IS MORE THAN 12" ABOVE CEILING LINE, 63 DEGREE ANGLE FRAME IS RECOMMENDED.

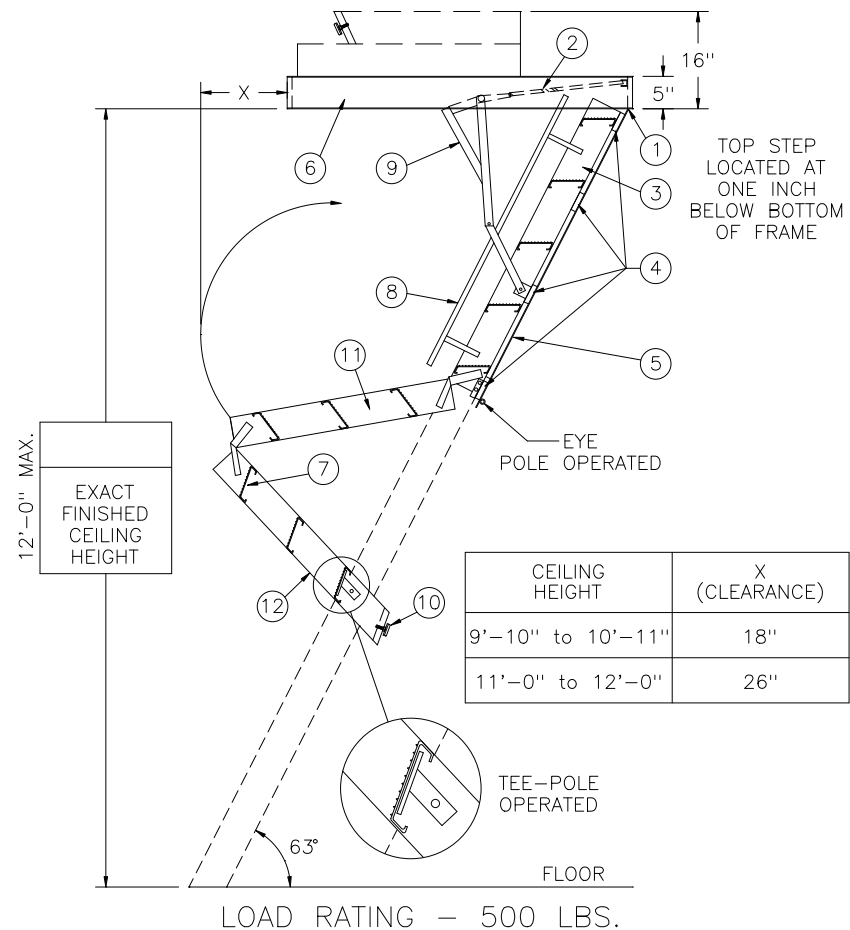
DIMENSIONS ON THIS DRAWING PERTAIN ONLY TO CEILING HEIGHTS OVER 9'-9".

MANUFACTURER RECOMMENDS THAT 2 PEOPLE OPEN/CLOSE UNITS INSTALLED IN CEILINGS 11' & OVER.



OPTIONS

- 2 HOUR FIRE RATED ASSEMBLY
- LOCK ON DOOR PANEL




LADDER LEGEND

- 1. STEEL PIANO DOOR HINGE
- 2. DOUBLE SPRING ACTION
- 3. SIDE RUNNER 5" ALUM.
- 4. BATTEN 1/8" ALUM.
- 5. DOOR PANEL 1/8" ALUM.
- 6. STEEL BOX FRAME
- 7. TREAD (SERRATED ALUM.)
- 8. HANDRAIL BOTH SIDES
- 9. EXTRA HEAVY OPERATING ARM
- 10. ADJUSTABLE FOOT
- 11. MIDDLE SECTION
- 12. BOTTOM SECTION

NOT TO SCALE

SS-2V

 Precision Ladders, LLC P.O. BOX 2279 Morristown, TN 37816-2279 Ph: (423) 586-2265 Fax: (423) 586-2091 www.PrecisionLadders.com	WORK ORDER: ()	DWG. CHECK	ARCH'T OR ENG'R.	PROJECT			PRECISION REP
		BUILT BY:	PURCHASE ORDER	REVISION	PURCHASER		SERIAL#
		CHECKED BY:	DRAWN BY:	JEB	DATE	MODEL#	SS/AL-