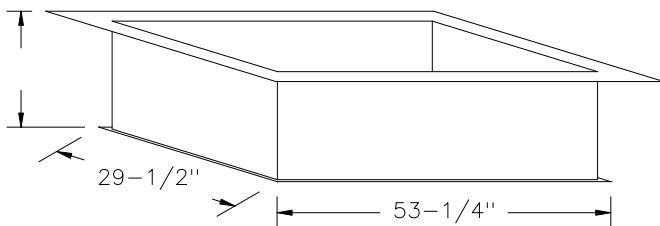


# PRECISION SUPER SIMPLEX DISAPPEARING STAIRWAY TO HATCH

(SHIPS COMPLETELY ASSEMBLED AS ONE UNIT)

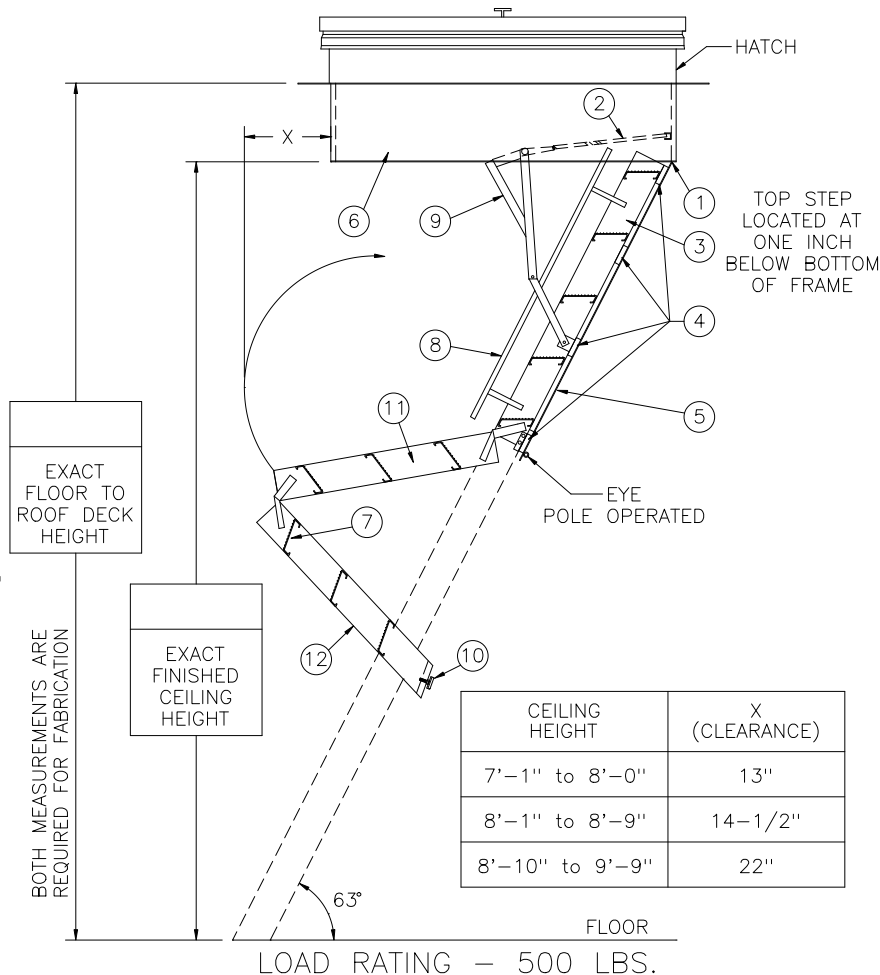
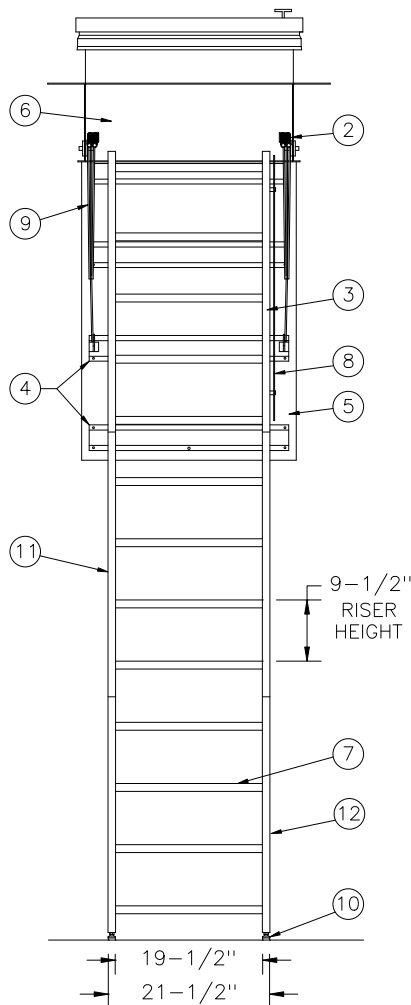
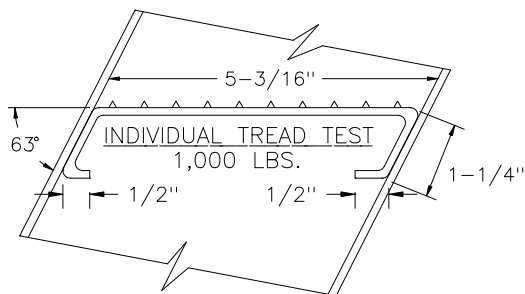
FIVE INCH FLANGE  
ALL AROUND TOP  
ONE INCH FLANGE  
ALL AROUND BOTTOM



REQUIRED ROUGH OPENING  
IN CEILING 30" x 54"

## SPECIAL DEEP BOX FRAME

1/8" STEEL, TO CONTAIN ALUMINUM SUPER SIMPLEX  
FOLDING STAIRWAY CUT FOR EXACT FINISHED CEILING HEIGHT.



| CEILING HEIGHT  | X (CLEARANCE) |
|-----------------|---------------|
| 7'-1" to 8'-0"  | 13"           |
| 8'-1" to 8'-9"  | 14-1/2"       |
| 8'-10" to 9'-9" | 22"           |

LOAD RATING - 500 LBS.

## NOTES

IF FLOOR ABOVE IS MORE THAN 12" ABOVE CEILING LINE,  
63 DEGREE ANGLE FRAME IS RECOMMENDED.

DIMENSIONS ON THIS DRAWING PERTAIN ONLY TO CEILING  
HEIGHTS 9'-9" OR LESS.

## OPTIONS

- 2 HOUR FIRE RATED ASSEMBLY
- LOCK ON DOOR PANEL

## LADDER LEGEND

- 1. STEEL PIANO DOOR HINGE
- 2. DOUBLE SPRING ACTION
- 3. SIDE RUNNER 5" ALUM.
- 4. BATTEN 1/8" ALUM.
- 5. DOOR PANEL 1/8" ALUM.
- 6. STEEL BOX FRAME
- 7. TREAD (SERRATED ALUM.)
- 8. HANDRAIL BOTH SIDES
- 9. EXTRA HEAVY OPERATING ARM
- 10. ADJUSTABLE FOOT
- 11. MIDDLE SECTION
- 12. BOTTOM SECTION

NOT TO SCALE

SS-5HAT

|   |                 |             |                 |          |               |      |
|---|-----------------|-------------|-----------------|----------|---------------|------|
| <p>Precision Ladders, LLC<br/>P.O. BOX 2279 Morristown, TN 37816-2279<br/>Ph: (423) 586-2265 Fax: (423) 586-2091<br/>www.PrecisionLadders.com</p> | WORK ORDER: ( ) | DWG. CHECK  | ARCH'T OR ENGR. | PROJECT  | PRECISION REP |      |
|   |                 | BUILT BY:   | PURCHASE ORDER  | REVISION | PURCHASER     |      |
|   |                 | CHECKED BY: | DRAWN BY:       | DATE     | MODEL#        | QTY. |
|   |                 |             | JEB             | 11/30/04 | SS/AL-        |      |