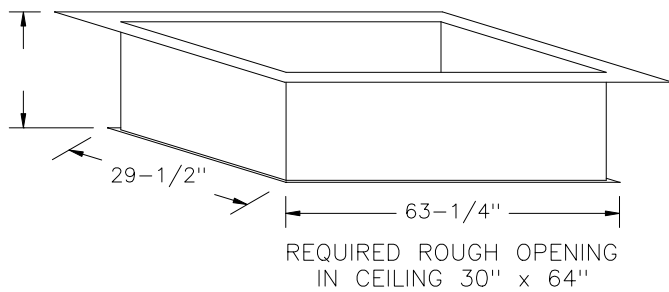


FIVE INCH FLANGE
ALL AROUND TOP
ONE INCH FLANGE
ALL AROUND BOTTOM

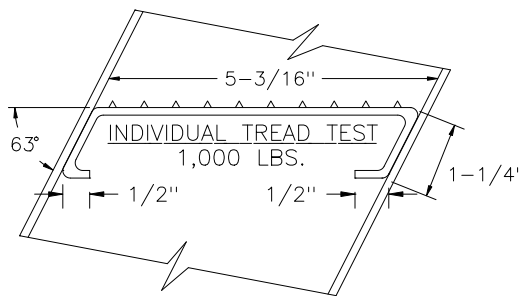
PRECISION SUPER SIMPLEX DISAPPEARING STAIRWAY TO HATCH

(SHIPS COMPLETELY ASSEMBLED AS ONE UNIT)



SPECIAL DEEP BOX FRAME

1/8" STEEL, TO CONTAIN ALUMINUM SUPER SIMPLEX
FOLDING STAIRWAY CUT FOR EXACT FINISHED CEILING HEIGHT.

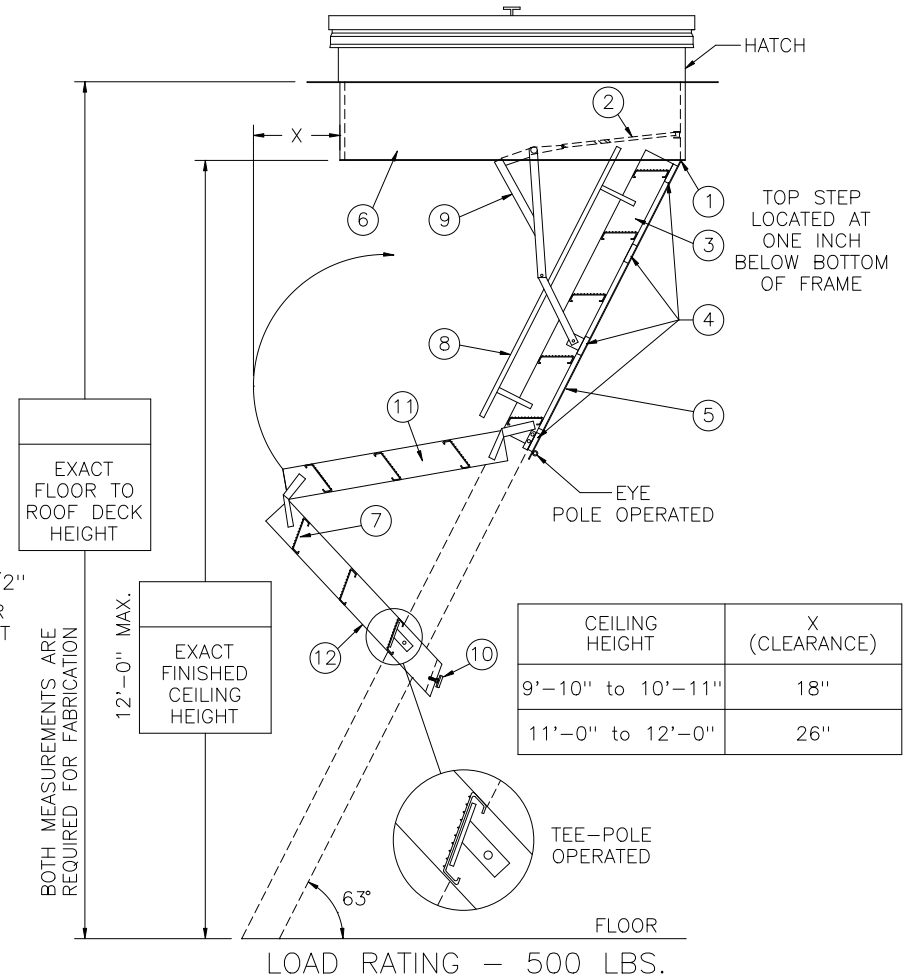
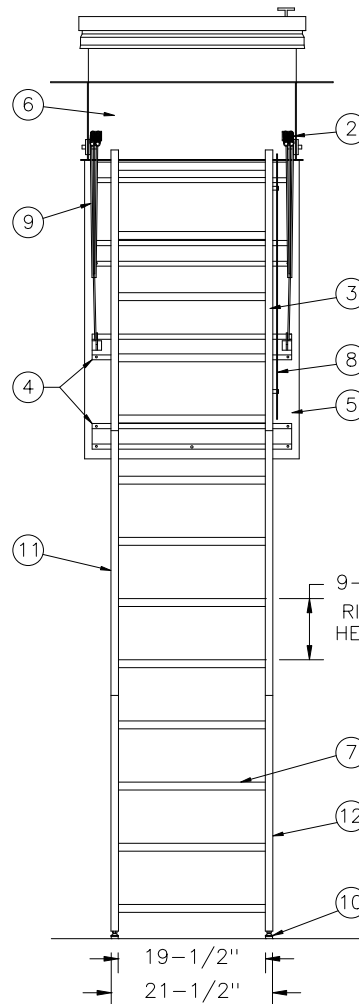


NOTES

IF FLOOR ABOVE IS MORE THAN 12" ABOVE CEILING LINE,
63 DEGREE ANGLE FRAME IS RECOMMENDED.

DIMENSIONS ON THIS DRAWING PERTAIN ONLY TO CEILING
HEIGHTS OVER 9'-9".

MANUFACTURER RECOMMENDS THAT 2 PEOPLE OPEN/CLOSE
UNITS INSTALLED IN CEILINGS 11' & OVER.



OPTIONS

- 2 HOUR FIRE RATED ASSEMBLY
- LOCK ON DOOR PANEL

LADDER LEGEND

- 1. STEEL PIANO DOOR HINGE
- 2. DOUBLE SPRING ACTION
- 3. SIDE RUNNER 5" ALUM.
- 4. BATTEN 1/8" ALUM.
- 5. DOOR PANEL 1/8" ALUM.
- 6. STEEL BOX FRAME
- 7. TREAD (SERRATED ALUM.)
- 8. HANDRAIL BOTH SIDES
- 9. EXTRA HEAVY OPERATING ARM
- 10. ADJUSTABLE FOOT
- 11. MIDDLE SECTION
- 12. BOTTOM SECTION

NOT TO SCALE

SS-6HAT

<p>Precision Ladders, LLC P.O. BOX 2279 Morristown, TN 37816-2279 Ph: (423) 586-2265 Fax: (423) 586-2091 www.PrecisionLadders.com</p>	WORK ORDER: ()	DWG. CHECK	ARCH'T OR ENGR.	PROJECT	PRECISION REP	
		BUILT BY:	PURCHASE ORDER	REVISION	PURCHASER	
		CHECKED BY:	DRAWN BY:	DATE	MODEL#	QTY.
			JEB	11/30/04	SS/AL-	