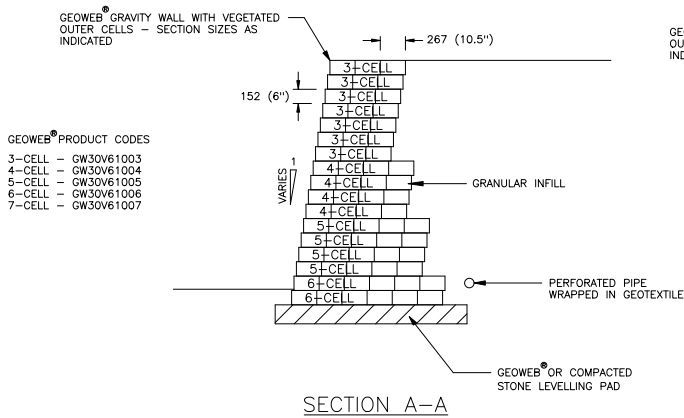
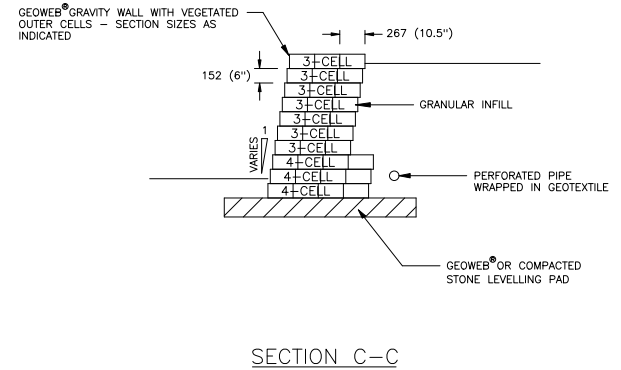
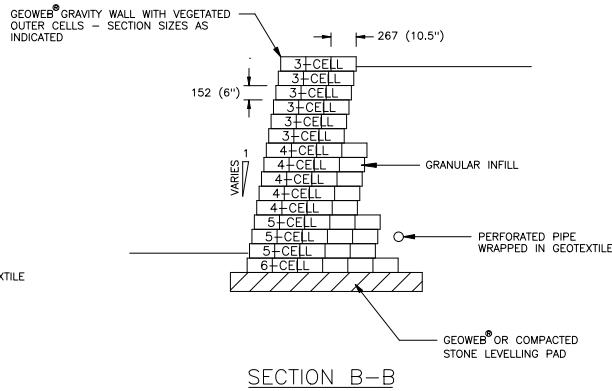


PROFILE OF TYPICAL GEOWEB® GRAVITY WALL



- GEOWEB® PRODUCT CODES
- 3-CELL - GW30V61003
 - 4-CELL - GW30V61004
 - 5-CELL - GW30V61005
 - 6-CELL - GW30V61006
 - 7-CELL - GW30V61007



CROSS SECTIONS OF TYPICAL GEOWEB® GRAVITY WALL

PRESTO® PRODUCTS COMPANY

THE GEOWEB®
EARTH RETENTION SYSTEM

PRESTO®, GEOWEB®, AND ATR® ARE REGISTERED TRADEMARKS OF PRESTO PRODUCTS COMPANY.

DATE	MAY, 2000	FILE NAME	GWRW4AE.DWG
SCALE	NTS	SHEET	4A