

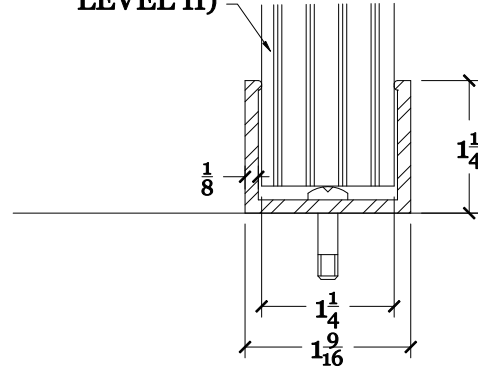
Project Name:

GLAZING CHANNELS
TYPICAL DETAILS

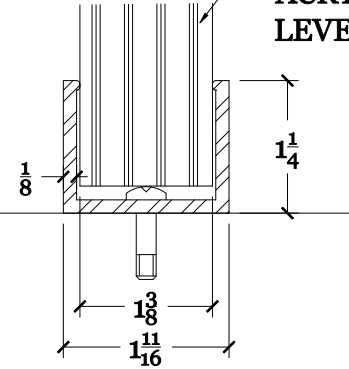
Total Security Solutions
170 National Park Drive
Fowlerville, Michigan 48836
517.223.7807 Fax: 517.223.0805

U-CHANNEL

**$\frac{1}{8}$ " THICK BULLET
RESISTANT ACRYLIC
(UL TESTED AND RATED
LEVEL II)**

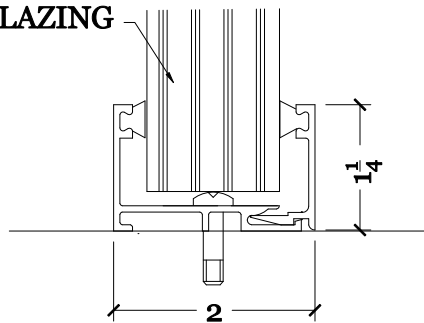


**$\frac{1}{4}$ " THICK BULLET RESISTANT
ACRYLIC (UL TESTED AND RATED
LEVEL I AND LEVEL III)**



TWO PIECE

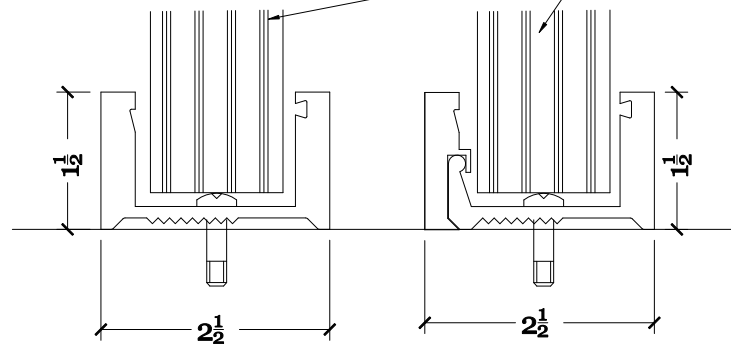
**CHANNEL WILL ACCEPT LEVEL
I, II OR III GLAZING**



44-250

BR RATED CHANNEL

**CHANNEL WILL ACCEPT LEVEL
I, II OR III GLAZING**



Project Number: Drawn By:

BDF

Designed By: Checked By:

Sheet Title:

PLAN / ELEVATION

Sheet Number:

SSVR