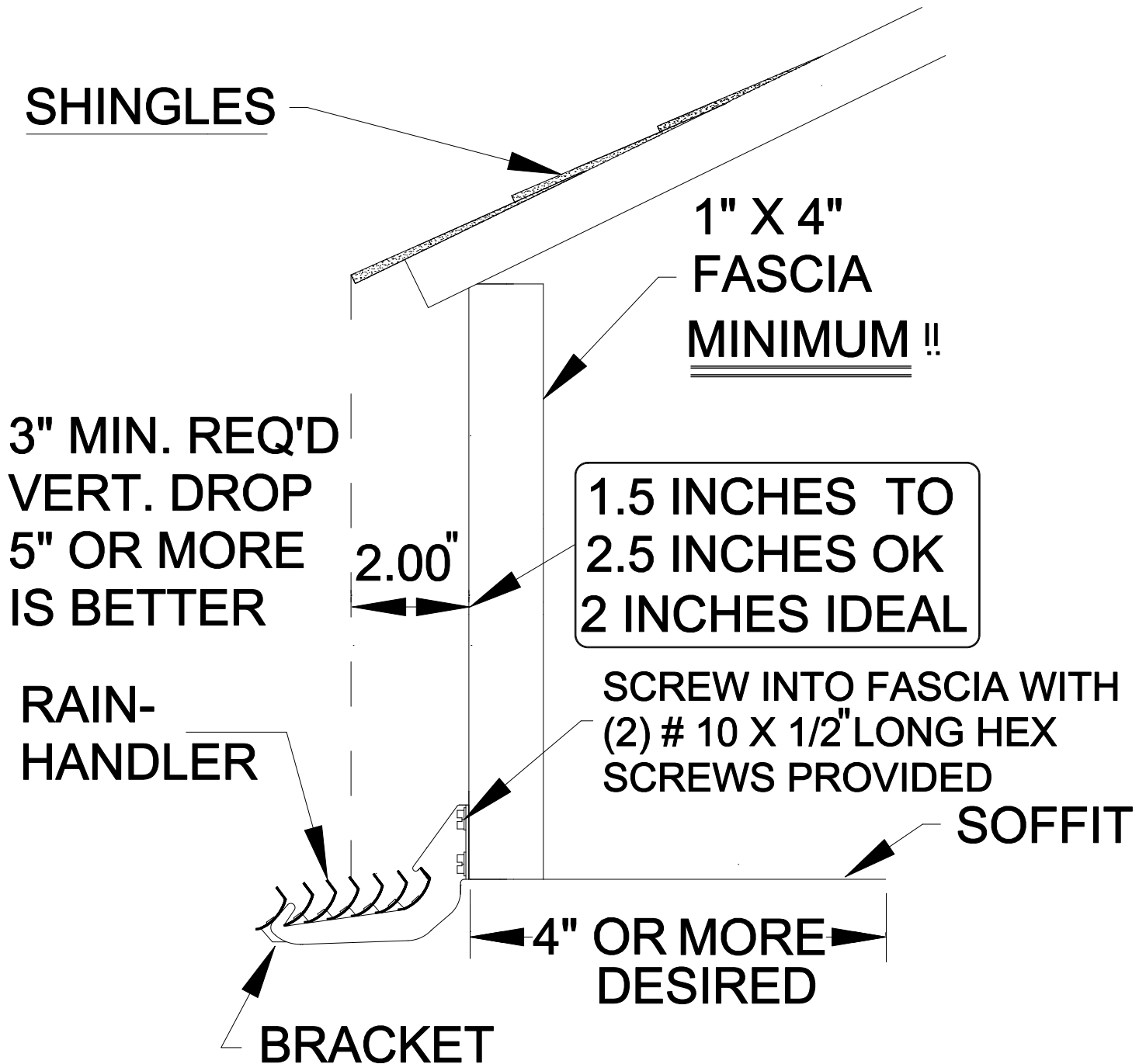


RAINHANDLER

SUMMARY SPECIFICATIONS

NORMAL INSTALLATION

NO ACCESSORIES REQUIRED



ALWAYS MOUNT RAINHANDLER
AT BOTTOM EDGE OF FASCIA