

Rakks®

Rangine Corporation
330 Reservoir Street
Needham, Ma. 02494

Tel: 781-455-8700 Fax: 781-455-8702

DATE:
5-28-08

BY:
KT

RAKKS DWG. NO.:

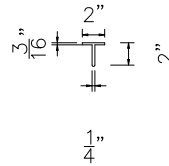
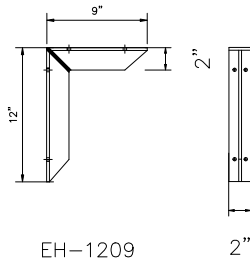
JOB NAME:

Counter Brackets
Surface Mounted

PAGE NO.:
____ OF ____

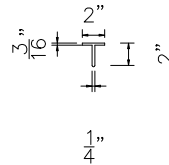
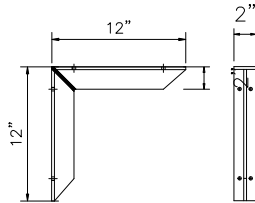
PART NO.:

VERSION:



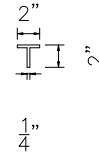
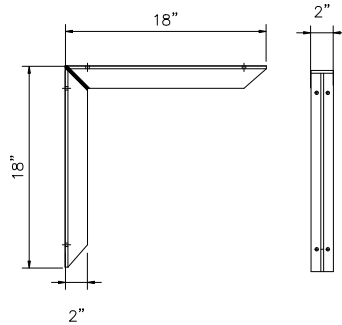
EH-1209

2"



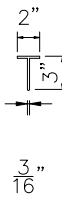
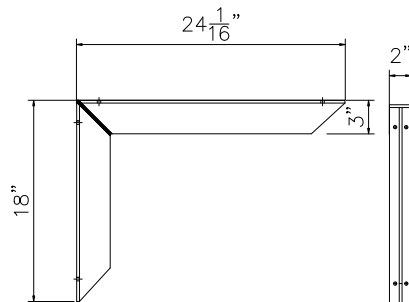
EH-1212

2"



EH-1818

2"



EH-1824

All designs are, and remain the property of Rangine Corporation. Rangine Corporation reserves the right to make changes in specifications, design, and/or construction with out prior notification.