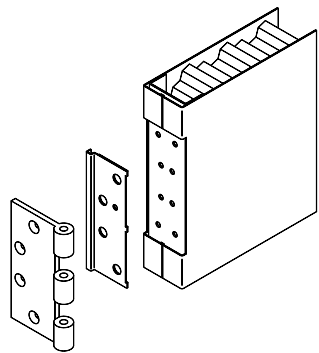
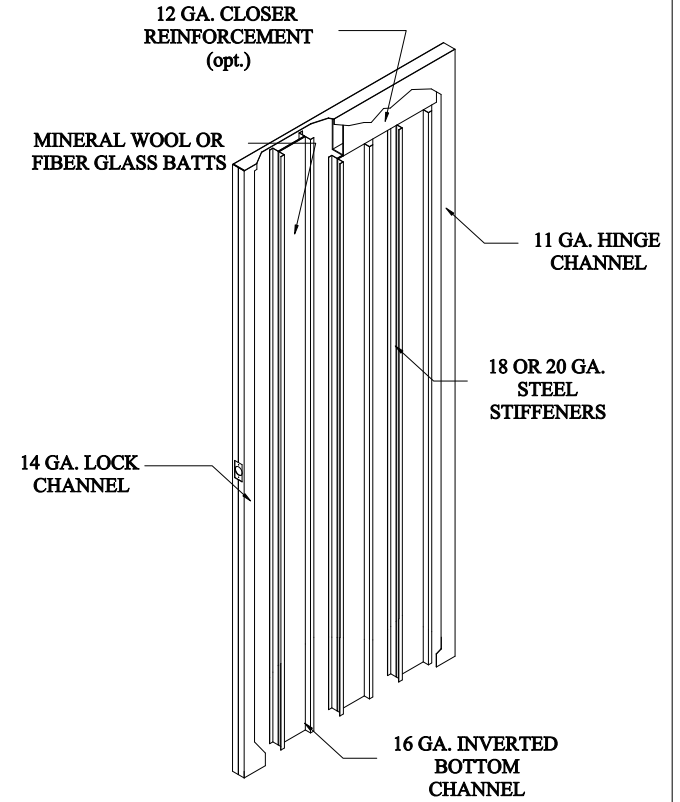
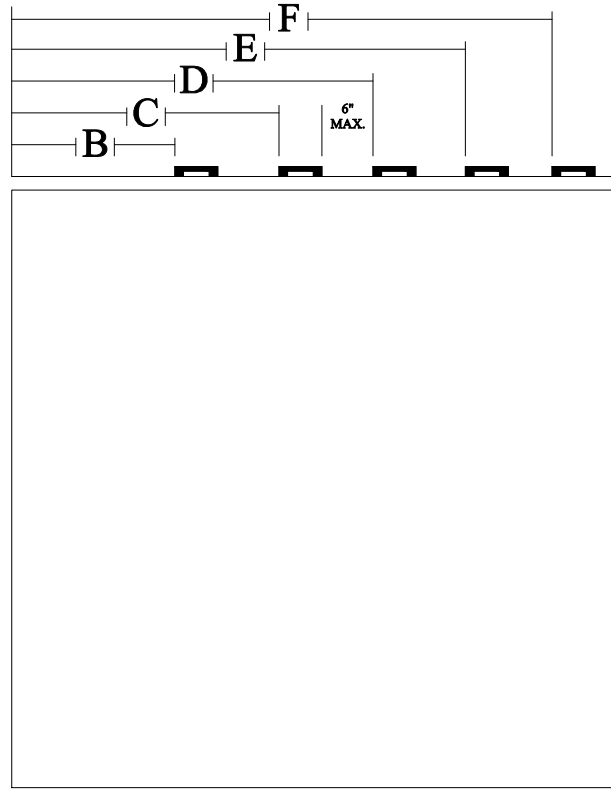
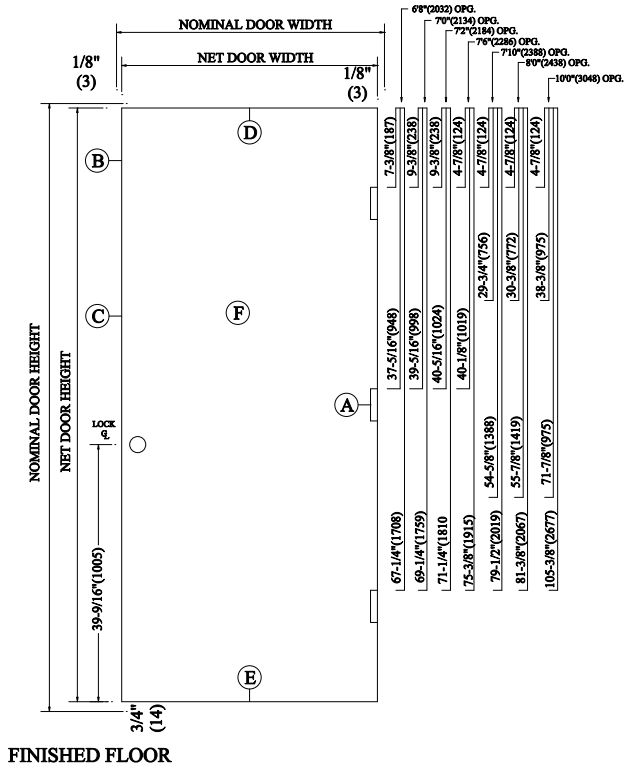
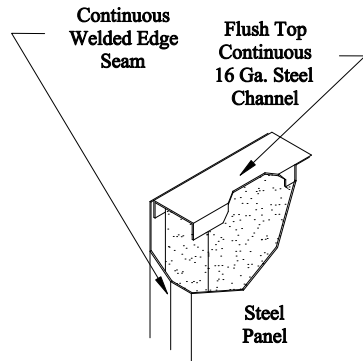


# DL/DE SERIES - STEEL STIFFENED

**TOP TO TOP  
4 1/2" HINGES ONLY  
1 3/4" DOOR**

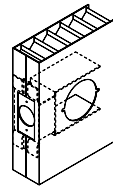


**Continuous 11 Ga. Steel Integral Hinge Reinforcement with Provision**  
For 4 1/2" (114) x 4 1/2" (114) Full Mortise Template Hinges or 3 1/2" (89) x 3 1/2" (89) on 1 3/8" (35) Doors.



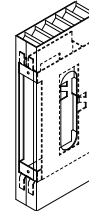
**Fiber Glass Batts**  
(Density 1.5  
R-Factor 6.8  
U-Factor .147) or  
Mineral Wool

**12 Ga. Closer Reinforcement when specified**

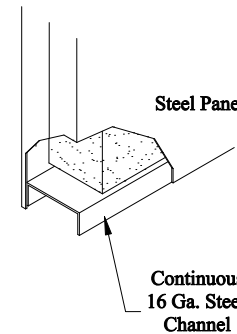


**16 Ga. steel cylindrical lock reinforcement with provisions for Gov't Series 160 or 161 cylindrical lock sets (2-3/4" backset) and ANSI A115.2 lock front (1-1/8" x 2-1/4")**

**16 Ga. Mortise Lock reinforcement with provisions for Gov't Series 86 mortise lockset and ANSI A115.1 Lock Front (1-1/4" x 8)**



**DOOR BOTTOM**



**18 OR 20 GA. VERTICAL STIFFENER {4" (102) WIDE}**