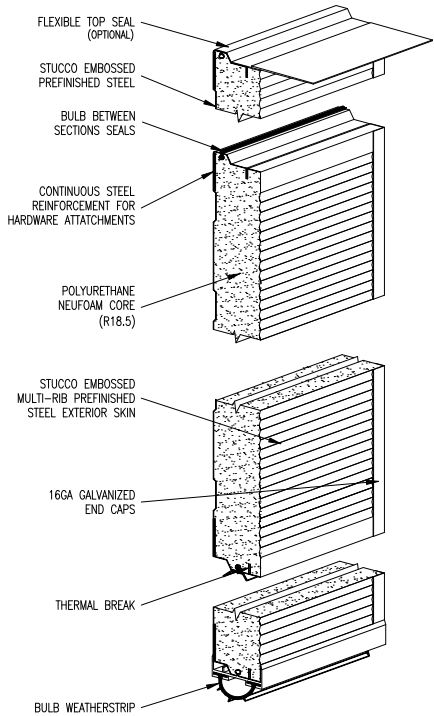
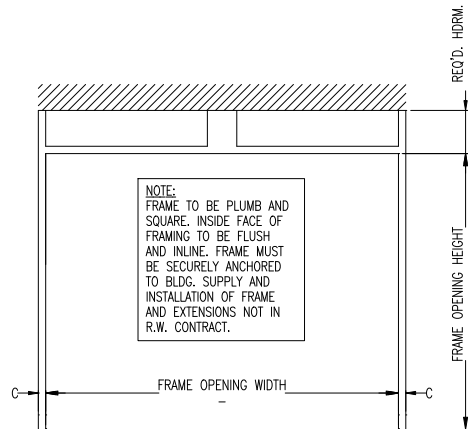


THERMATITE ADV200-MR

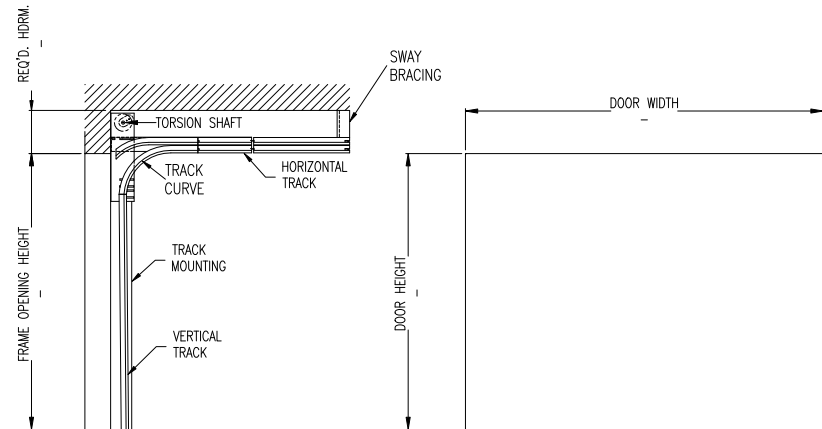


NOTE:

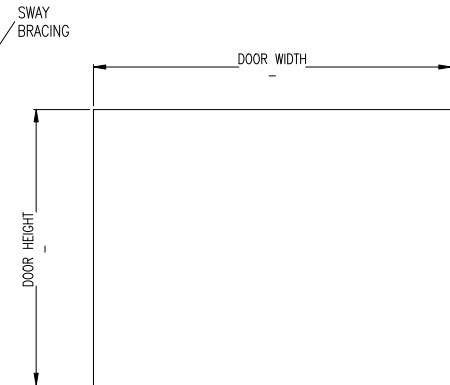


INTERIOR ELEVATION OF FRAMING BY OTHERS

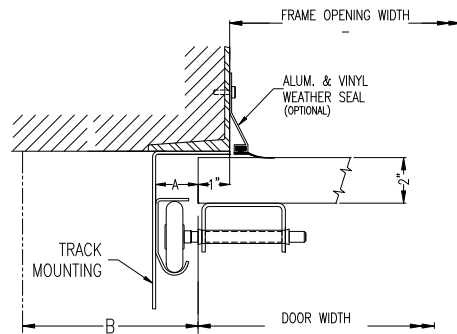
ISSUE NO.	REV. LET.	ISSUES OR REVISIONS	DATE	BY	APP.
1					



CROSS SECTION



EXTERIOR ELEVATION



STEEL JAMB DETAILS

DOOR WIDTH	
DOOR HEIGHT	
FRAME OPENING WIDTH	
FRAME OPENING HEIGHT	
HEADROOM REQ'D.	
TRACK MOUNTING	<input type="checkbox"/> ADCA <input type="checkbox"/> BRACKET

ADCA	A	B	C
2"	1 1/2"	3 1/2"	2 1/2"
3"	2"	4"	3"

VERTICAL TRACK	
HORIZONTAL TRACK	
LITES	

TRUSSING	WIND LOAD
OPTIONS	

TITLE	THERMATITE ADV200-MR DOOR C/W ___" ROLLTITE LOW HEADROOM FRONT MOUNT HARDWARE		
CLIENT			
SETS REQUIRED			
CLIENT'S ORDER NO.	R-W ORDER NO.		

Richards-Wilcox
CANADA INC.
TORONTO, ONTARIO

DRAWN		SCALE	
CHECKED		DRAWING NO.	
APPROVED		SHEET NO.	