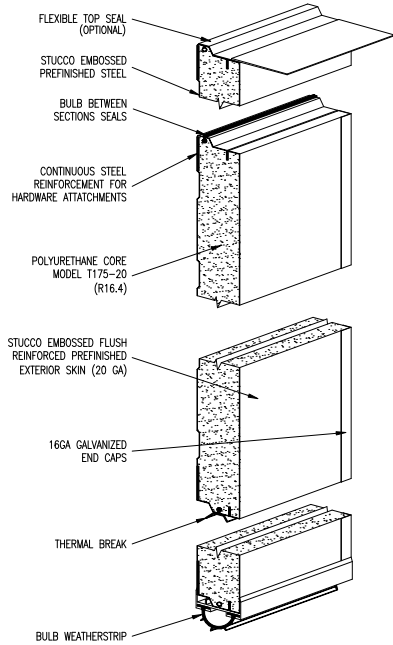
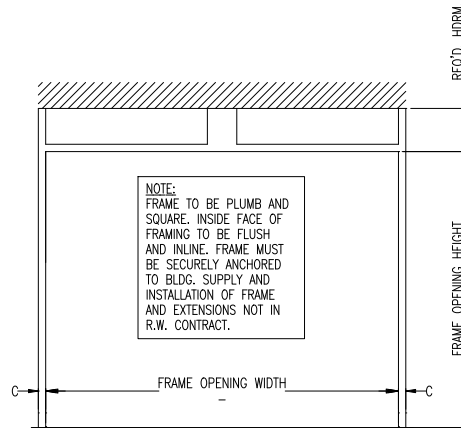


# THERMATITE T175-20



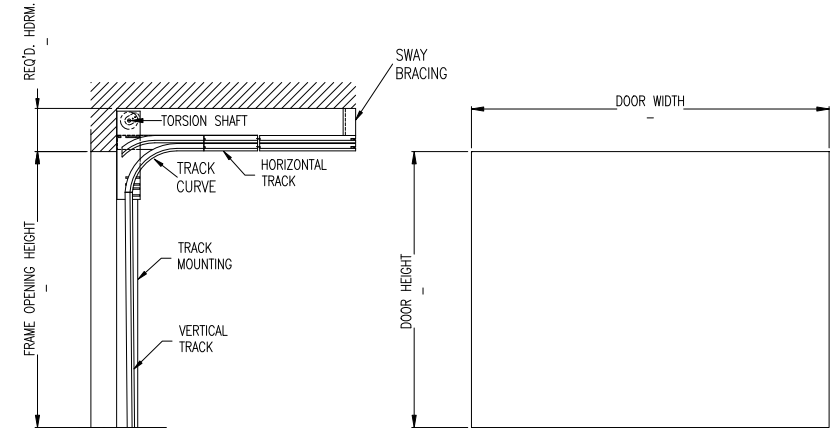
NOTE:

ISSUE NO.	REV. LET.	ISSUES OR REVISIONS	DATE	BY	APP.
1					

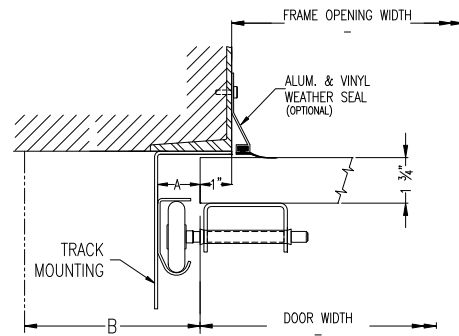


NOTE:  
FRAME TO BE PLUMB AND SQUARE. INSIDE FACE OF FRAMING TO BE FLUSH AND INLINE. FRAME MUST BE SECURELY ANCHORED TO BLDG. SUPPLY AND INSTALLATION OF FRAME AND EXTENSIONS NOT IN R.W. CONTRACT.

INTERIOR ELEVATION OF FRAMING BY OTHERS



CROSS SECTION



STEEL JAMB DETAILS

EXTERIOR ELEVATION

DOOR WIDTH		ADCA	A	B	C	TRUSSING	WIND LOAD
DOOR HEIGHT		2"	1 1/2"	3 1/2"	2 1/2"		
FRAME OPENING WIDTH		3"	2"	4"	3"	OPTIONS	
FRAME OPENING HEIGHT		VERTICAL TRACK					
HEADROOM REQ'D.		HORIZONTAL TRACK					
TRACK MOUNTING	<input type="checkbox"/> ADCA <input type="checkbox"/> BRACKET	LITES					

TITLE THERMATITE T175-20 DOOR C/W \_\_\_" ROLLTITE LOW HEADROOM FRONT MOUNT HARDWARE  
 CLIENT \_\_\_\_\_  
 SETS REQUIRED \_\_\_\_\_  
 CLIENT'S ORDER NO. \_\_\_\_\_ R-W ORDER NO. \_\_\_\_\_

Richards-Wilcox  
 CANADA INC.  
 TORONTO, ONTARIO

DRAWN		SCALE	
CHECKED		DRAWING NO.	
APPROVED		SHEET NO.	