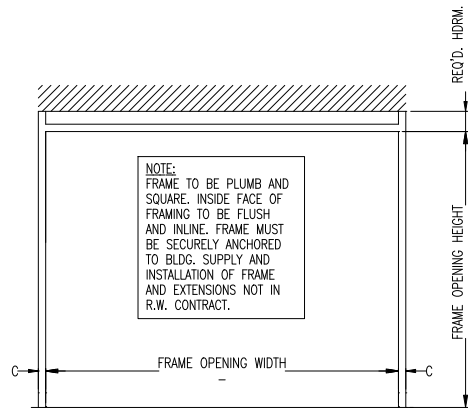
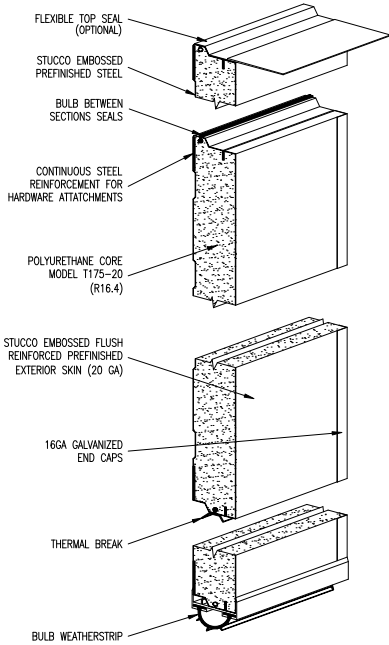
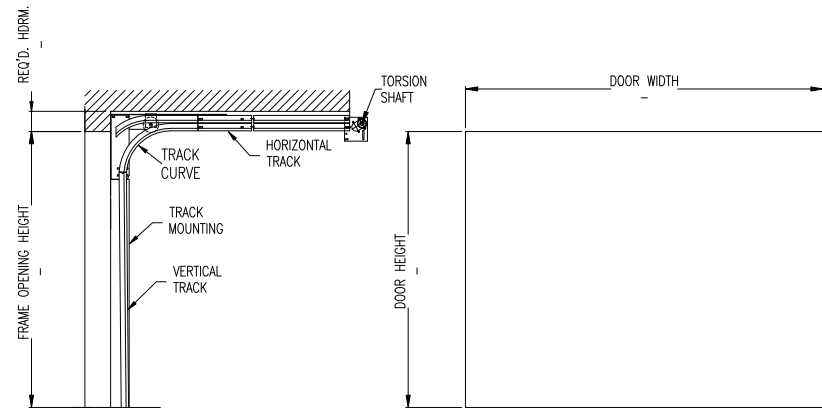


# THERMATITE T175-20



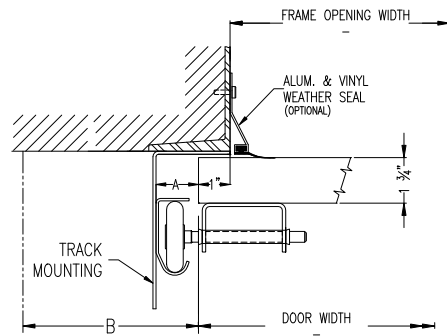
INTERIOR ELEVATION OF FRAMING BY OTHERS

ISSUE NO.	REV. LET.	ISSUES OR REVISIONS	DATE	BY	APP.
1					



CROSS SECTION

EXTERIOR ELEVATION



STEEL JAMB DETAILS

DOOR WIDTH	
DOOR HEIGHT	
FRAME OPENING WIDTH	
FRAME OPENING HEIGHT	
HEADROOM REQ'D.	
TRACK MOUNTING	<input type="checkbox"/> ADCA <input type="checkbox"/> BRACKET

ADCA	A	B	C
2"	1 1/2"	3 1/2"	2 1/2"
3"	2"	4"	3"
LOWER VERTICAL TRACK			
HORIZONTAL TRACK			
LITES			

TRUSSING	WIND LOAD
OPTIONS	

TITLE	THERMATITE T175-20 DOOR C/W ___" ROLLTITE LOW HEADROOM REAR MOUNT HARDWARE
CLIENT	
SETS REQUIRED	
CLIENT'S ORDER NO.	R-W ORDER NO.

Richards-Wilcox  
CANADA INC.  
(A DIVISION OF RAYNOR CANADA INC.)  
TORONTO, ONTARIO

DRAWN		SCALE	
CHECKED		DRAWING NO.	
APPROVED		SHEET NO.	

NOTE: