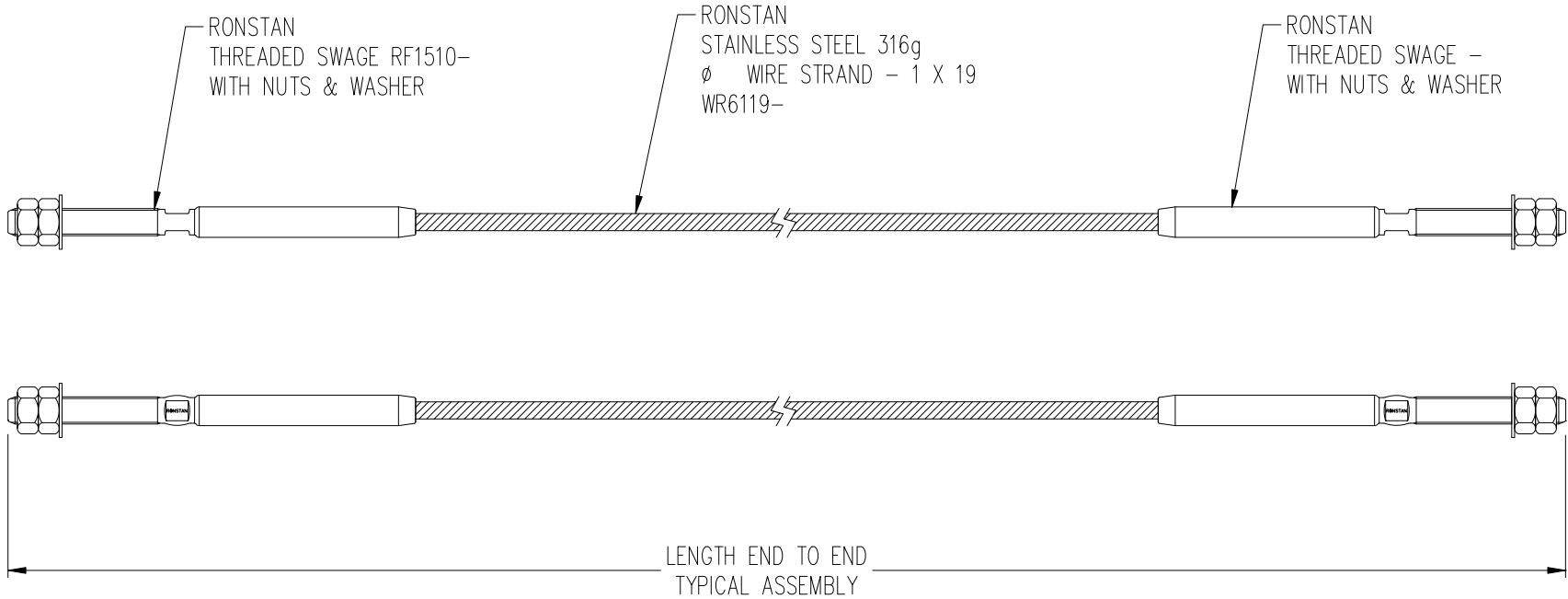


****NOTES TO DRAFTSMAN****

- 1.) Individual components may be accessed by part number using the Insert Block { _insert}command.
- 2.) Consult with Ronstan Inc. for the acceptability of specific component combinations.
- 3.) Notes to Draftsman do not plot.



Ronstan International Inc
45 High Point Ave, Suite 2
Portsmouth, RI 02871
P 401-293-0538
F 401-293-0539
www.ronstan.com
architectural@ronstan.us

TITLE
ACS3-SS
THREADED TERMINAL/THREADED TERMINAL

SCALE
1:5
LETTER