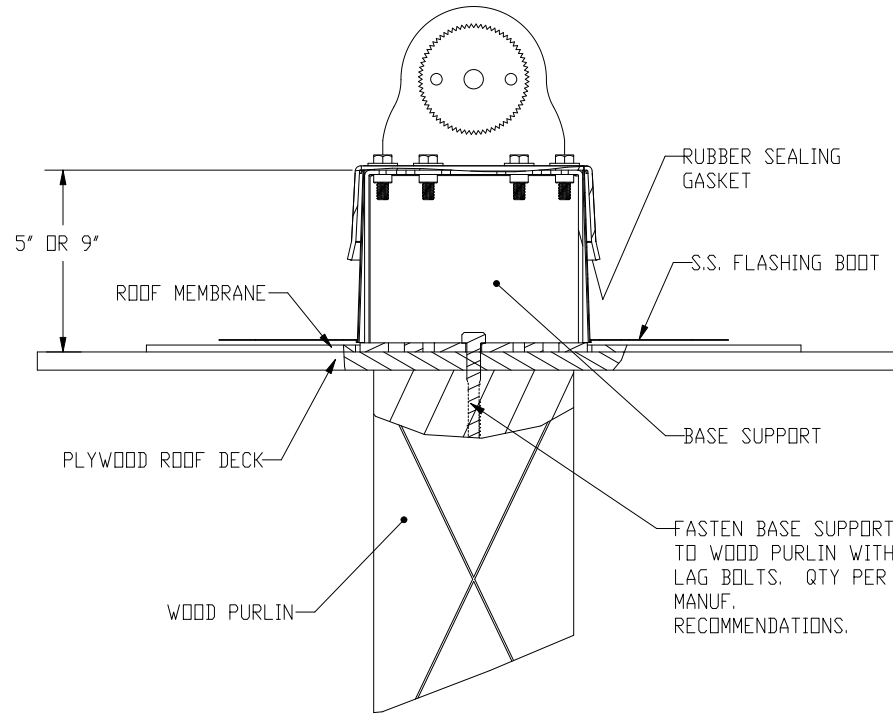
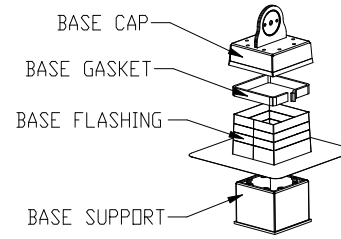




347 CORAL STREET, SANTA CRUZ, CA
 95060
 (831) 421-9230



SECTION B-B

SPECIFICATIONS

TITLE LAG BOLT INTO WOOD PURLIN
 TYPE 1

CONFIGURATION NAME T1

SCALE 0.250 DRAWN BY MDH DATE 29-Jun-06