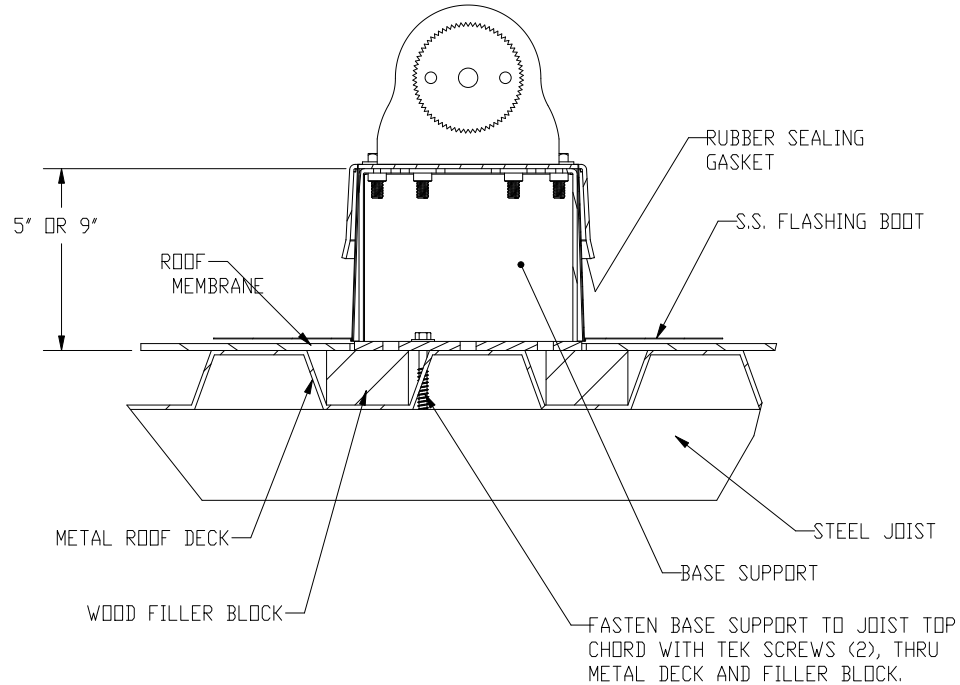
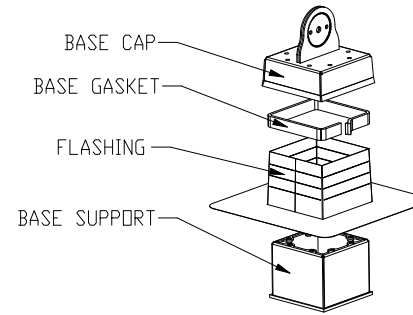




347 CORAL STREET, SANTA CRUZ, CA
 95060
 (831) 421-9230



SPECIFICATIONS

TITLE TEK SCREW THRU METAL DECK AND WOOD FILLER INTO TOP CHORD OF STEEL JOIST TYPE 5

CONFIGURATION NAME BXF2T5

SCALE 0.250 DRAWN BY MDH DATE 29-Jun-06