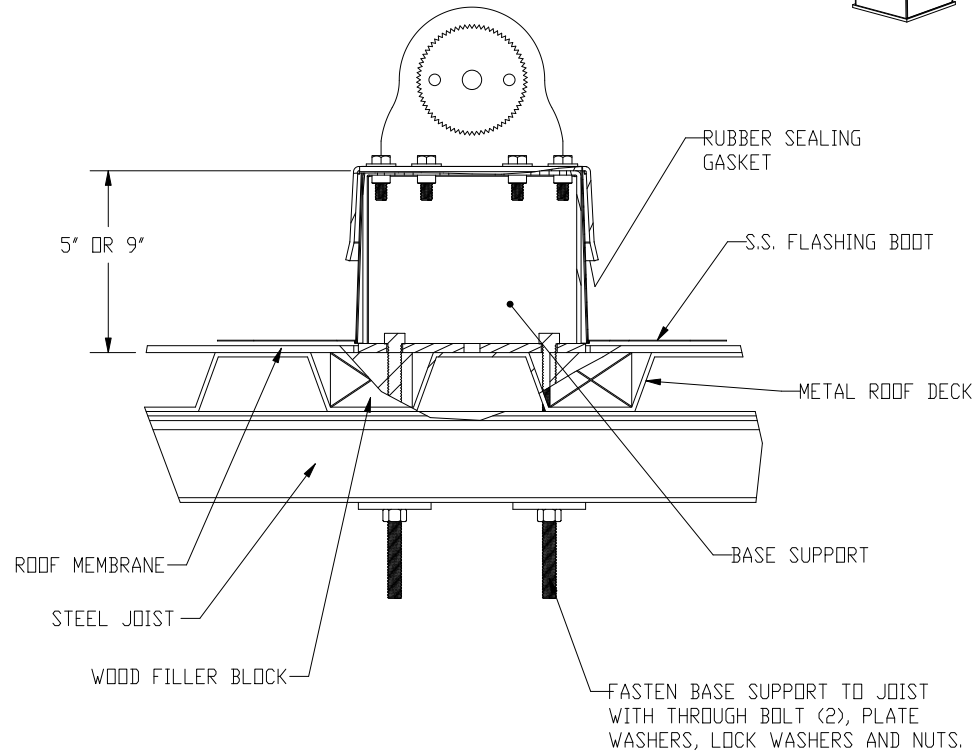
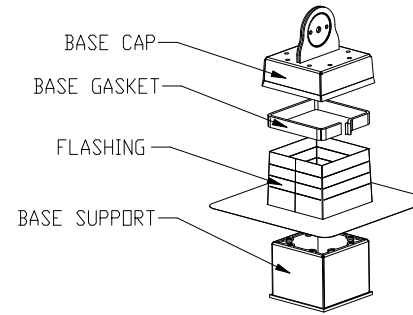




347 CORAL STREET, SANTA CRUZ, CA  
 95060  
 (831) 421-9230



SECTION A-A

SPECIFICATIONS

TITLE BOLT THRU METAL DECK AND WOOD FILLER WITH NUT & PLATE WASHER TYPE 6

CONFIGURATION NAME BXF2T6

SCALE 0.250 DRAWN BY MDH DATE 29-Jun-06