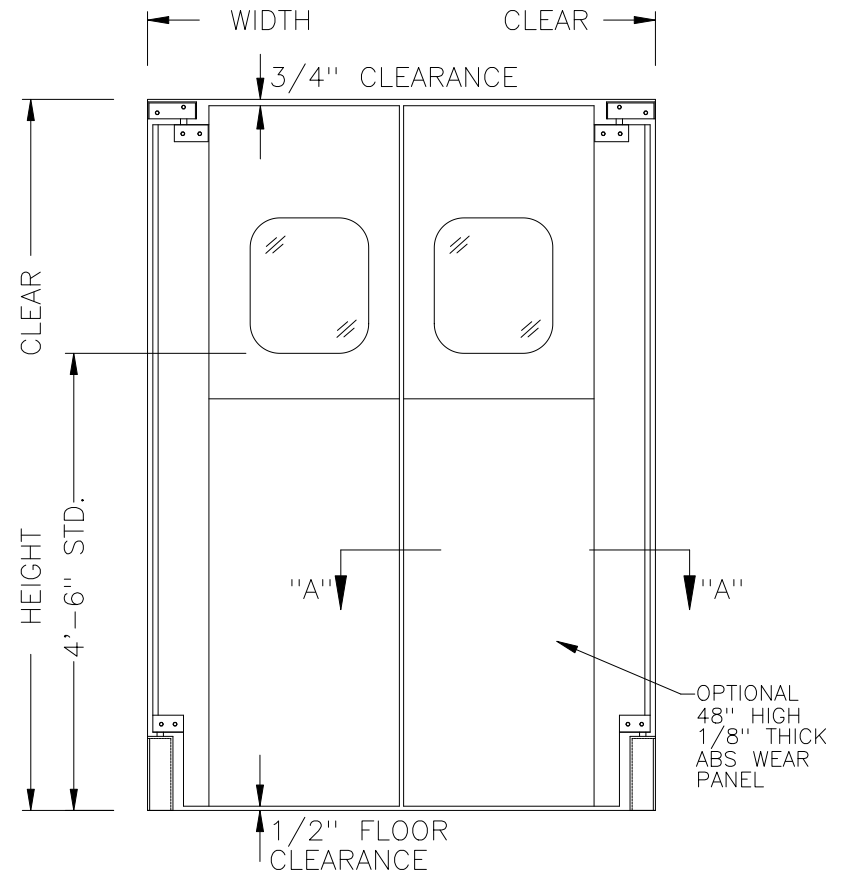
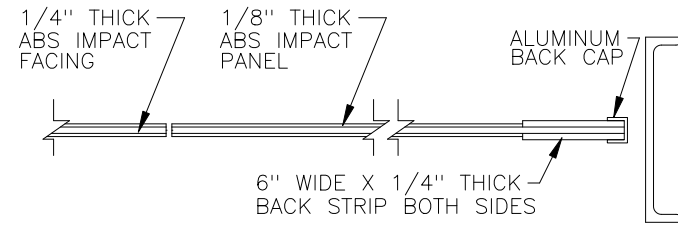
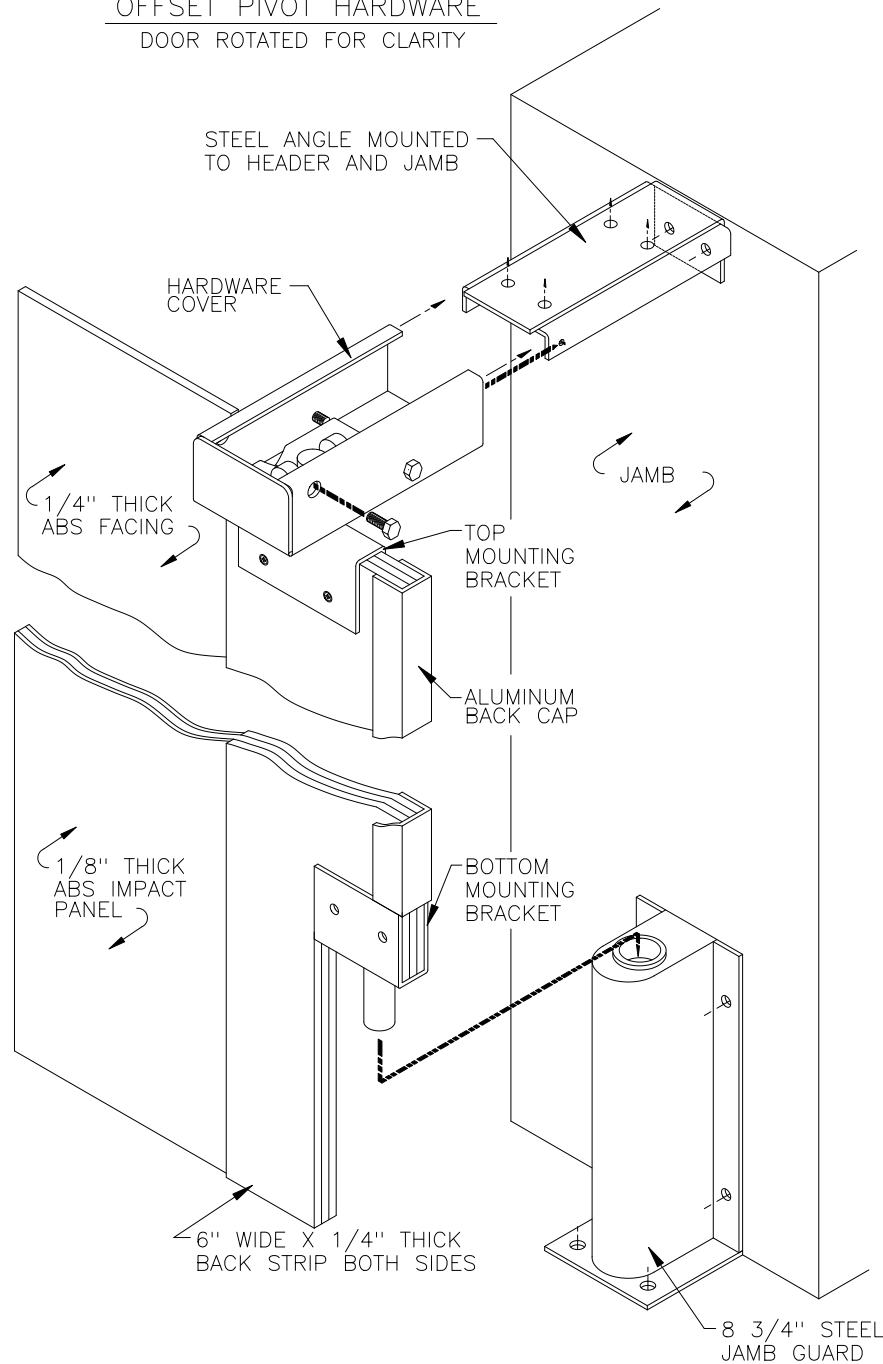


TL250TM MODEL

MOUNTING DETAIL OFFSET PIVOT HARDWARE DOOR ROTATED FOR CLARITY



TARGET SCALE: 1/2" = 1'-0" (8 1/2 x 11)

Arcat file no.: 08300007

(Mfr file no.: tl250)