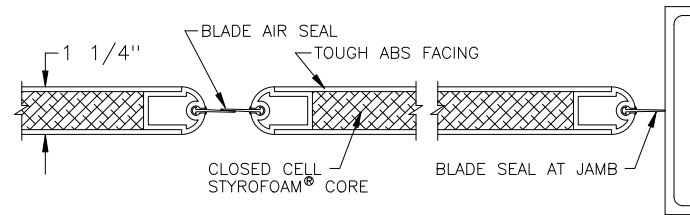
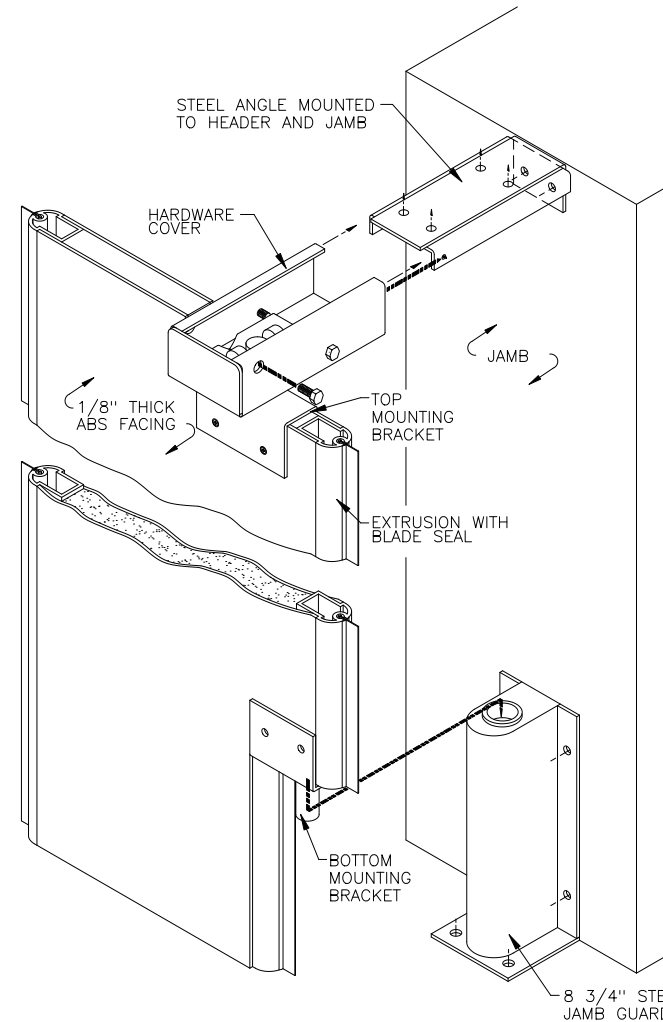


ELITE 1250₂ - ELEVATION OF DOORS
 SCALE: 1/2"=1'-0"
 TARGET PLOT SCALE: 1/2"=1'-0"
 0720001



ELITE 1250₂ - SECTION "A-A"
 SCALE: 3"=1'-0"
 TARGET PLOT SCALE: 1/2"=1'-0"
 0720001



ELITE 1250₂ - MOUNTING DETAIL
 OFFSET PIVOT HARDWARE
 DOOR ROTATED FOR CLARITY
 NOT TO SCALE
 TARGET PLOT SCALE: 1/2"=1'-0"
 0720001

STANDARD FEATURES

- FULLY INSULATED, 1 1/4" OVERALL DOOR THICKNESS
- 8" X 10" DOUBLE PANE VISION PANEL EACH LEAF
- REMOVABLE JAMB AND NOSE SEALS
- 8 3/4" HIGH STEEL JAMB GUARD
- PERMANENT COLOR FACING - SPECIFY COLOR _____
- OFFSET PIVOT HARDWARE
- MANUFACTURED TO FIT OPENING (+0", -1/8" TOLERANCE)

OPTIONAL EXTRAS:

- PRE-HUNG IN ALUMINUM FRAME.....[]
- BUMPERS - MOLDED POLYETHYLENE
 HEIGHT 12"[] 24"[] OTHER _____
 36"[] 48"[]
- ABS IMPACT PLATES.....SPECIFY HEIGHT _____
- VINYL WEAR PANELS.....SPECIFY HEIGHT _____

WINDOWS (DOUBLE GLAZED):

- POLYCARBONATE - 1/8" THICK, FLUSH MOUNTED
 RADIUS CORNER GASKET - STANDARD
- 8" x 10" (STANDARD).....[]
- 11 1/2" x 15 1/2".....[]
- 14" x 16" (SHOWN).....[]
- 16" x 18".....[]
- 24" x 24".....[]

FOR PRESSURE AND WIND LOADS: