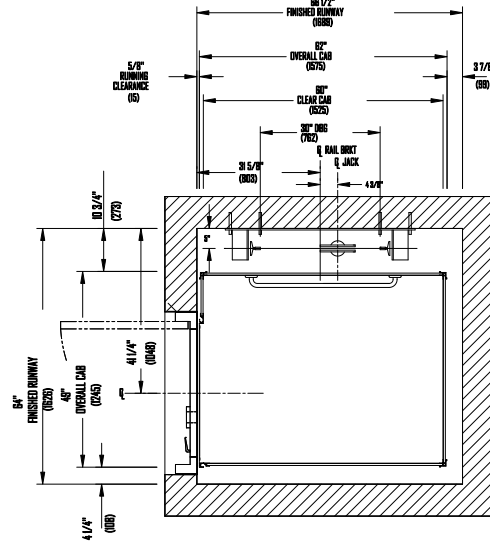
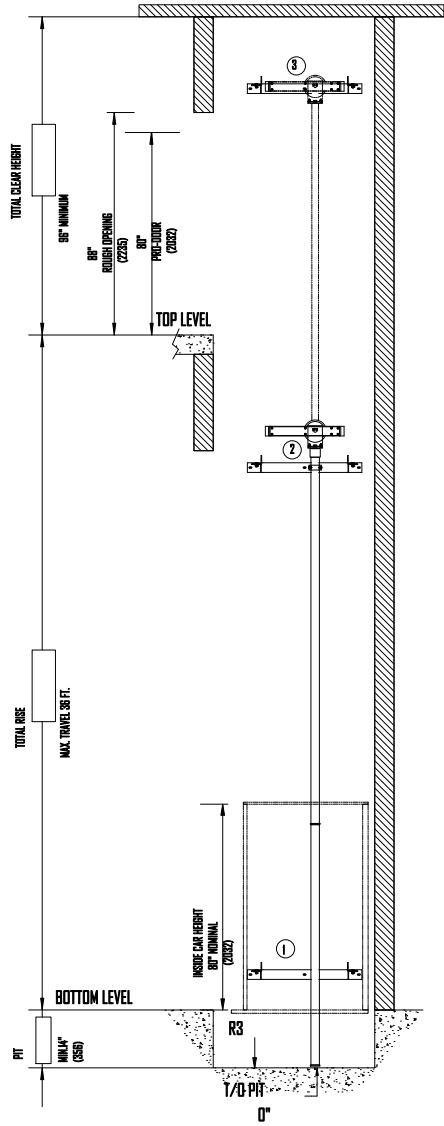
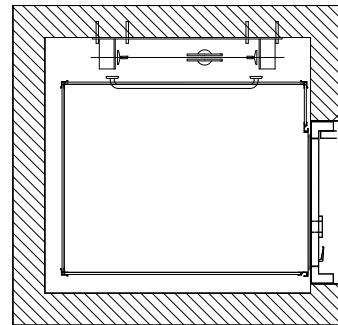


SECTIONAL VIEW - PROLIFT VOYAGER Model 476D

PLAN VIEW - PROLIFT VOYAGER Model 476D



PLAN VIEW - PROLIFT VOYAGER Model 476D



NOTE C:  
MIRRORED IMAGE OF I/L WITH SAME  
FINISHED HOISTWAY DIMENSIONS

TOP RAIL BRACKET ③	AT TOP OF HOISTWAY CONSULT YOUR CONTRACTOR REPRESENTATIVE FOR EXACT LOCATION
INTERMEDIATE RAIL BRACKET ②	40" INTERVALS ABOVE BOTTOM BRACKET
BOTTOM RAIL BRACKET ①	24" ABOVE PIT FLOOR

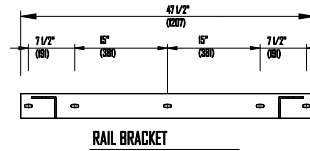
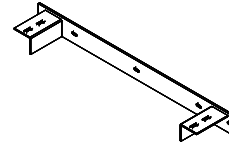
FLOOR No.		FLOOR HEIGHT
REAR	FRONT	
TOTAL		RISE

PIT / OVERHEAD REQUIREMENTS			
MAX. SPEED (F/Min)	MIN. PIT	TOTAL TRAVEL	MINIMUM OVERHEAD
30	14" ***		36"(2433)

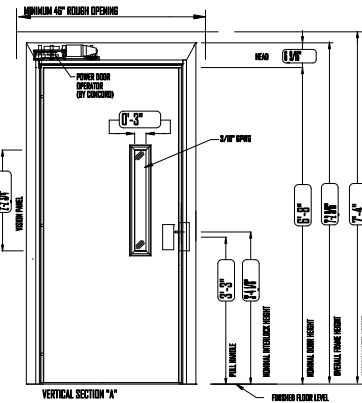
\*\*\* NOTE: Additional pit equipment required  
when over 36" deep, consult your  
local dealer for details

DOCUMENT REVISION #2, DATE: 06/18/12

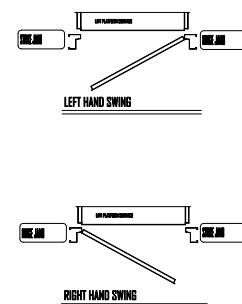
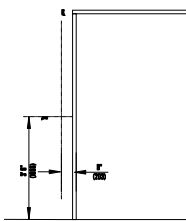
RAIL FORCES		RS NOTE:
		PIT FLOOR TO SUPPORT LOAD I/F: 0.220kN ** (INCLUDES IMPACT)
* R1	R2	FOR TOTAL FULL-RAIL FORCE ON RAIL BRACKET, IT MUST BE DOUBLED UP. 0.440kN.
4220L	1020L	
RAIL WEIGHT: 1.0 lb / ft		



RAIL BRACKET



NOTE D:  
FLUSH PRO-AUTO ODOOR SHOWN  
NONFLUSH RESIDENTIAL ODOOR ACCEPTABLE



PROVISIONS BY OTHERS

**\*GENERAL**  
**HOISTWAY**- THE HOISTWAY MUST BE IN ACCORDANCE WITH ASME A18.1 / CSA B355-00 AND ALL STATE / PROVINCIAL AND LOCAL CODES.

**PLUMB HOISTWAY**- DUE TO CLOSE RUNNING CLEARANCES OWNER/AGENT MUST ENSURE THAT HOISTWAY AND PIT (WHERE PROVIDED) ARE LEVEL, PLUMB AND SQUARE AND ARE IN ACCORDANCE WITH THE DIMENSIONS ON THESE DRAWINGS.

**MINIMUM OVERHEAD CLEARANCE**- OWNER/AGENT MUST ENSURE MINIMUM OVERHEAD CLEARANCE IS IN COMPLIANCE WITH CODES.

**CONSTRUCTION SITE**- OWNER/AGENT TO PROVIDE ALL MASONRY, CARPENTRY AND DRYWALL WORK AS REQUIRED AND SHALL PATCH AND MAKE GOOD (INCLUDING FINISH PAINTING) ALL AREAS WHERE WALLS/FLOORS MAY REQUIRE TO BE CUT, DRILLED OR ALTERED IN ANY WAY TO PERMIT THE PROPER INSTALLATION OF THE LIFT.

**DIMENSIONS**  
CONTRACTOR/CUSTOMER TO VERIFY ALL DIMENSIONS AND REPORT ANY DISCREPANCIES TO OUR OFFICE IMMEDIATELY.

**\*STRUCTURAL**  
**FLOOR/SUPPORT WALL LOADS**- STRUCTURAL ENGINEER TO ASSURE THAT BUILDING AND SHAFT WILL SAFELY SUPPORT ALL LOADS IMPOSED BY THE LIFT EQUIPMENT. REFER TO THE TABLES ON THIS DRAWING FOR LOADS IMPOSED BY THE EQUIPMENT.

**WHERE DOORS ARE REQUIRED**- SUITABLE LINTELS MUST BE PROVIDED BY OWNER/AGENT. DOOR FRAMES ARE NOT DESIGNED TO SUPPORT OVERHEAD WALL LOADS.

**\*MACHINE ROOM**  
**LOCATION / ACCESS**- MACHINE ROOM LOCATED AT THE LOWEST LEVEL ADJACENT TO HOISTWAY, UNLESS SHOWN OTHERWISE ON THE LAYOUT DRAWINGS. FIELD ADJUSTMENT BY INSTALLER MAY BE NECESSARY TO MEET JOB SITE CONDITIONS OR REGULATIONS. ACCESS TO MACHINE ROOM TO BE THROUGH A SELF CLOSING LOCKABLE DOOR.

**SLEEVES FOR OIL & ELECTRIC LINES**- FROM MACHINE ROOM TO RUNWAY AS REQUIRED. (POSITION PER INSTALLERS INSTRUCTIONS).

	TIME DELAY FUSE SIZE	VOLTS	PHASE	AMPERAGE
MOTOR & EQUIP.	20AMPS/30AMPS	200V/230V	3PH/1PH	10LSAMPS/17AMPS
CAB LIGHTS	15 AMPS	115 V	I	

**\*ELECTRICAL**  
**POWER SUPPLY**- (SEE SPECIFICATIONS) LOCKABLE FUSED DISCONNECT WITH AUXILIARY CONTACT TO BRIDGE THE BATTERY FEED OR CIRCUIT BREAKERS WITH A 3-POLE BREAKER FOR BATTERY FEED REQUIRED, IN COMPLIANCE WITH ELECTRICAL CODE, AS FOLLOWS:  
LOCATED ON WALL ON LOCK JAMB SIDE OF MACHINE ROOM DOOR

**PERMANENT POWER**- BEFORE INSTALLATION CAN BEGIN, PERMANENT POWER MUST BE SUPPLIED.  
**LIGHTING**- OWNER/AGENT TO ENSURE AT LEAST 5 FFC OR 54 LUX AMBIENT LIGHTING OVER LIFT AREA.

**\*ENTRANCES**  
FASCIA PANEL BELOW UPPER LEVEL ENTRANCE, WHERE REQUIRED, FASCIA PANEL MUST BE FASTENED TO A SOLID WALL AND BE PERPENDICULAR TO THE FLOOR AND WALLS. HOISTWAY FASCIA IS NOT SELF-SUPPORTING FOR LONG, CONTINUOUS RUNS VOID OF ENTRANCES. ADEQUATE SUPPORT FOR THE FASCIA MUST BE PROVIDED.

ENTRANCE ASSEMBLIES- ENTRANCE ASSEMBLIES MUST BE ADJUSTED TO ALIGN WITH PLATFORM AND INTERLOCK EQUIPMENT. OTHERS TO ALLOW AN ADEQUATE ROUGH OPENING.  
RETURN WALLS- RETURN WALLS AT ENTRANCES MUST BE BUILT-IN BY OTHERS AFTER ENTRANCE ASSEMBLIES ARE IN PLACE. ENTRANCE ASSEMBLY MUST BE SECURELY FASTENED TO WALLS BY ELEVATOR CONTRACTOR.

NOTE B  
ALL INFORMATION IS SUBJECT TO CHANGE.  
PLEASE REFERENCE OUR ON-LINE DRAWINGS AT  
[www.concordlevator.com](http://www.concordlevator.com)

FOR THE MOST RECENT UPDATES

COMMERCIAL WHEELCHAIR LIFT  
PROLIFT VOYAGER MODEL 476D

CUSTOMER:	DATE:		
PROJECT:	ENGINEER:		
LOCATION:	CONTRACTOR:		