

ELEVATION VIEW TYPE-2

MULTILIFT B613

TOP VIEW TYPE-2

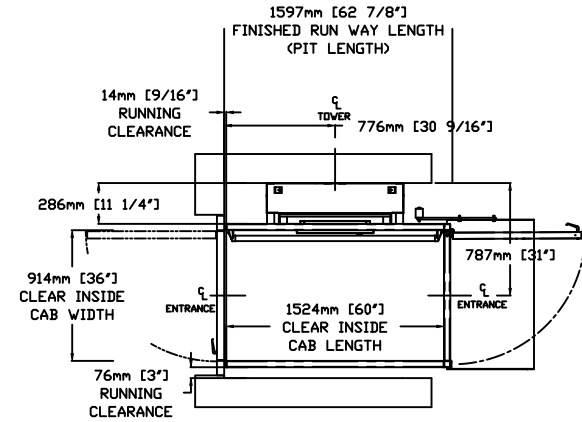
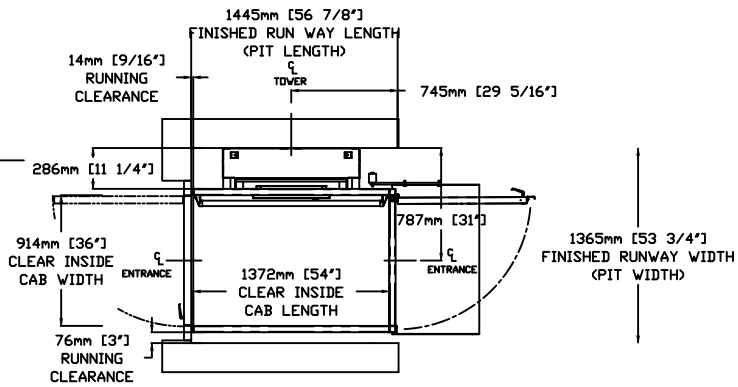
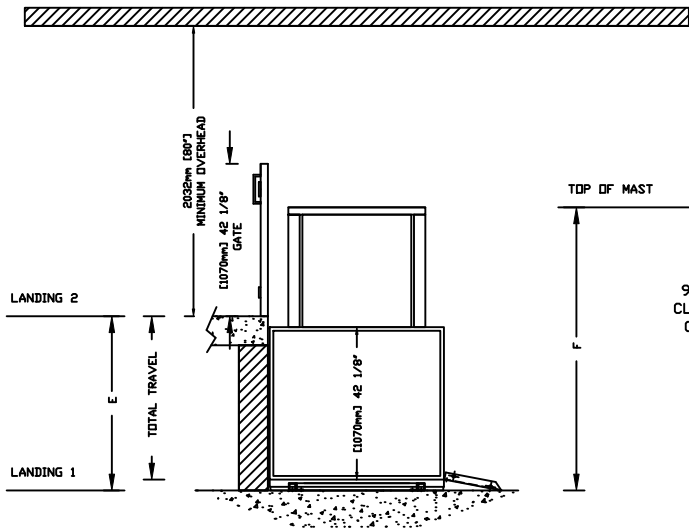
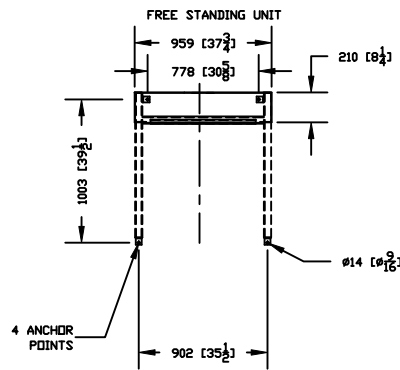


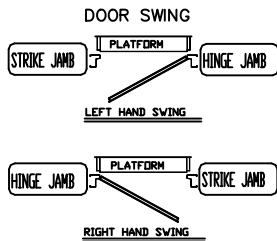
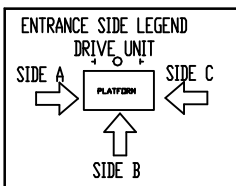
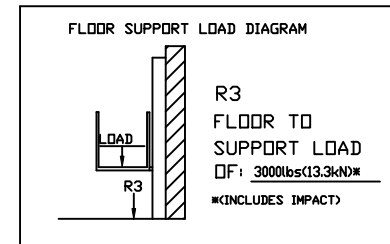
TABLE 1 - MAST HEIGHT

| E Max. Travel | F Mast Height with 2" CAP | |
|------------------|---------------------------------|-----------|
| | mm (Inches) | mm Inches |
| 1219 (48") | 2032 | 80 |
| 1829 (72") | 2642 | 104 |

ANCHOR POINTS



FORCES



| | | | |
|---|-----------|---------------------------------------|------------------|
| THE INFORMATION DISCLOSED HEREIN IS THE EXCLUSIVE PROPERTY OF savaria™ AND MAY NOT BE USED BY OTHERS WITHOUT PRIOR WRITTEN CONSENT | CUSTOMER: | DATE: 12/17/10 | REVISION: 000 |
| | PROJECT: | SCALE: 1:1 | 12/17/10 |
| TITLE: MULTILIFT B613 WITH PF GATE TYPE - 2 | LOCATION: | DRAFTER: ALEX B | SHEET 1 OF 1 |
| | | DRAWING NO: MULTILIFT WITH PF GATE | |