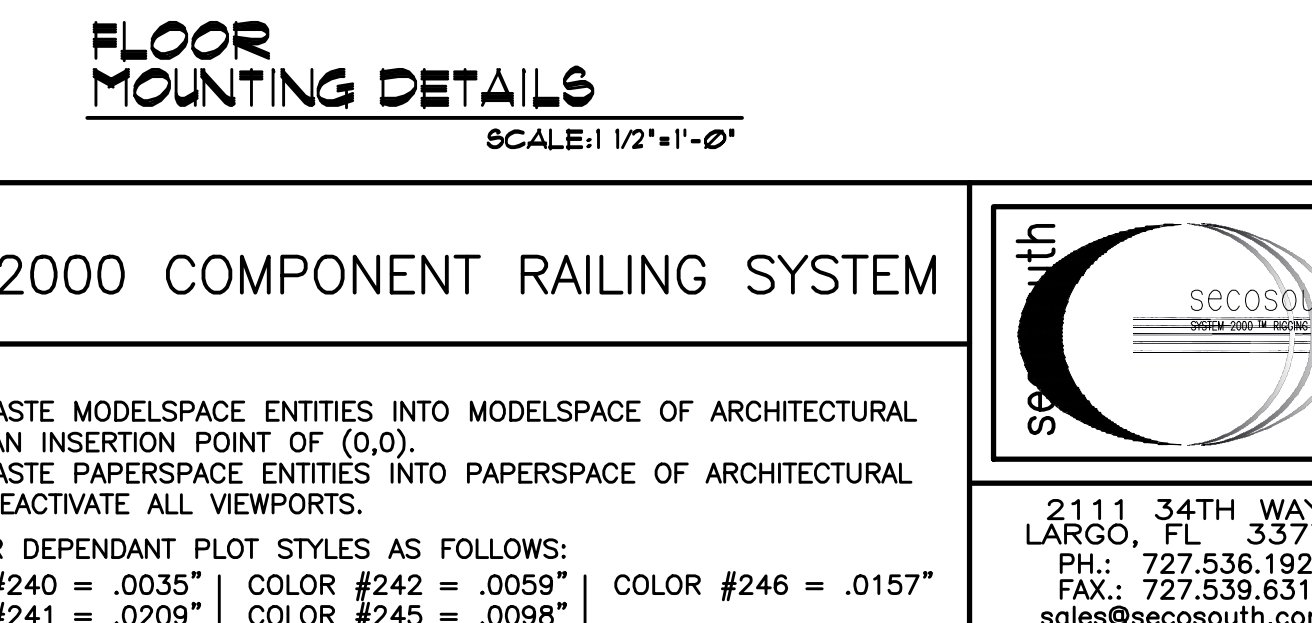
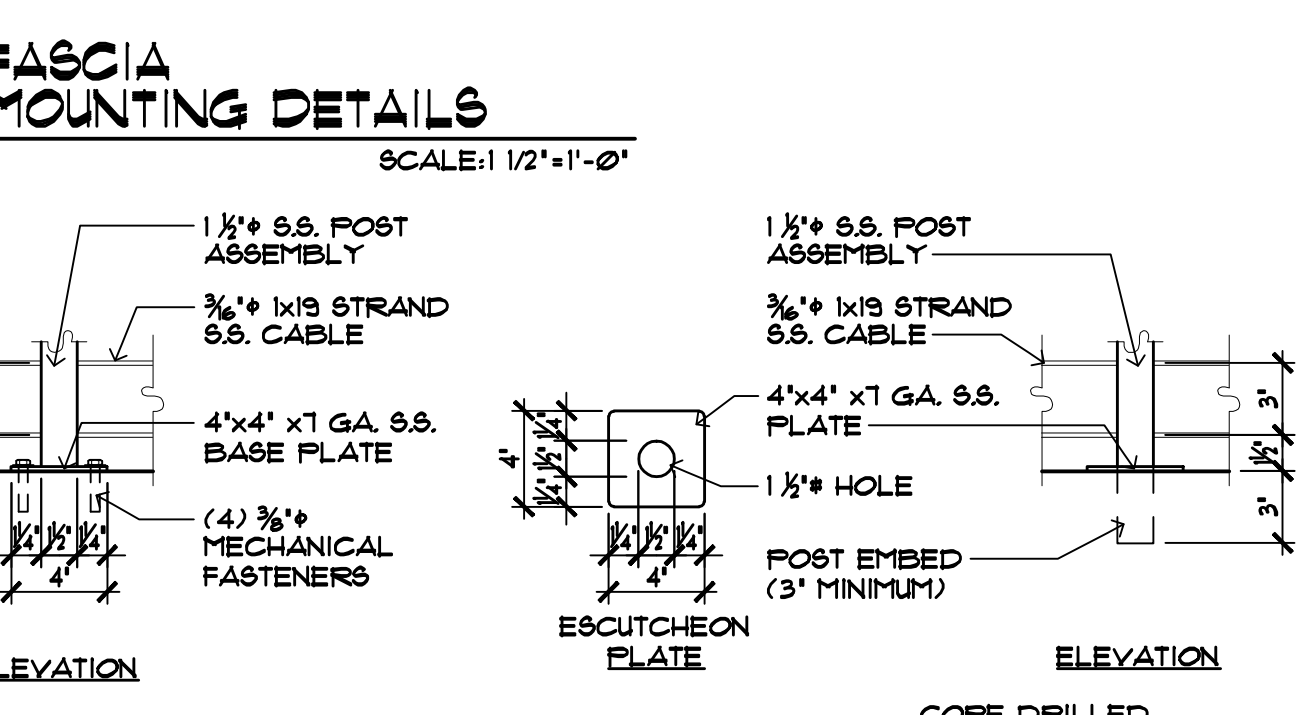
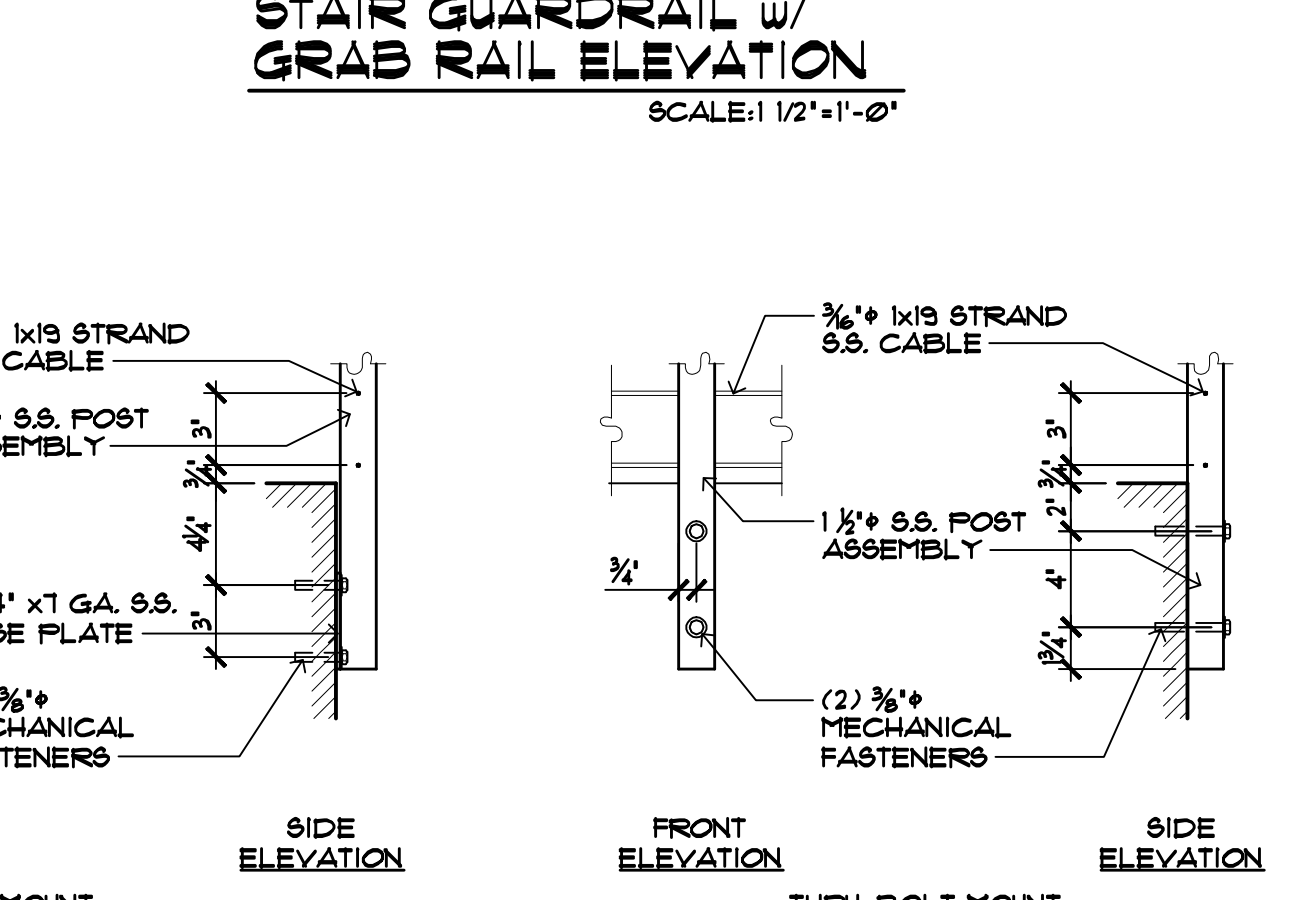
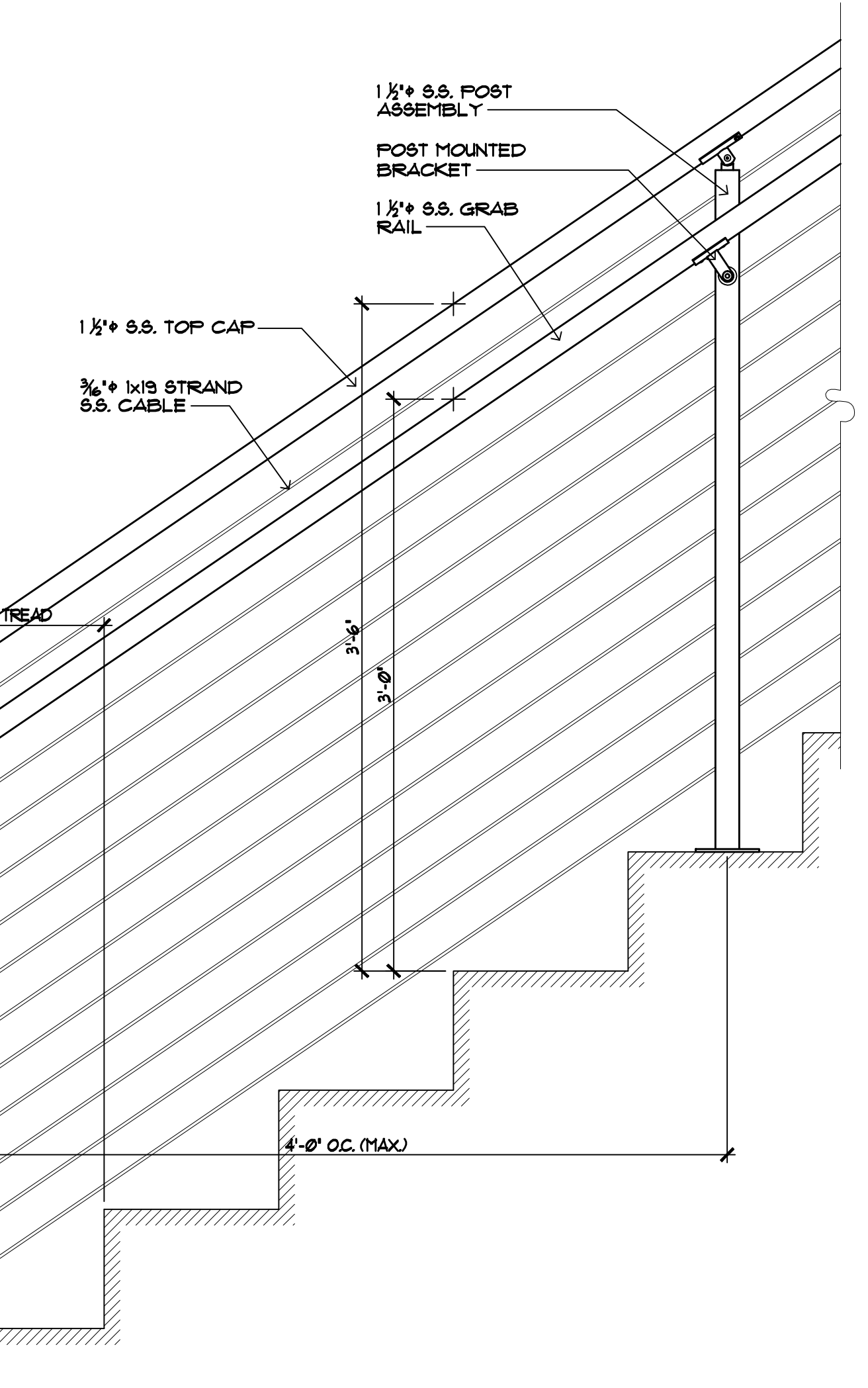


NOTES -
* ALL COMPONENTS TO BE STAINLESS STEEL, #304 ALLOY.
* ALL EXTERIOR RAILING WITHIN FIVE MILES OF COASTAL WATERS TO BE #316 ALLOY.
* ALL COMPONENTS TO HAVE #3 BRUSH FINISH UNLESS OTHERWISE REQUESTED.



LEVEL GUARDRAIL ELEVATION
SCALE: 1/2"=1'-0"

SECTION
SCALE: 1/2"=1'-0"

STAIR GUARDRAIL ELEVATION
SCALE: 1/2"=1'-0"

SECTION
SCALE: 1/2"=1'-0"

STAIR GUARDRAIL w/ GRAB RAIL ELEVATION
SCALE: 1/2"=1'-0"

Product:
RP1-2000 COMPONENT RAILING SYSTEM

Notes:
COPY & PASTE MODELSPACE ENTITIES INTO MODELSPACE OF ARCHITECTURAL SET WITH AN INSERTION POINT OF (0,0).
COPY & PASTE PAPERSPACE ENTITIES INTO PAPERSPACE OF ARCHITECTURAL SET AND REACTIVATE ALL VIEWPORTS.
USE COLOR DEPENDANT PLOT STYLES AS FOLLOWS:
COLOR #240 = .0035" | COLOR #242 = .0059" | COLOR #246 = .0157"
COLOR #241 = .0209" | COLOR #245 = .0098"

2111 34TH WAY
LARGO, FL 33771
PH: 727.536.1924
FAX: 727.539.6314
sales@secosouth.com