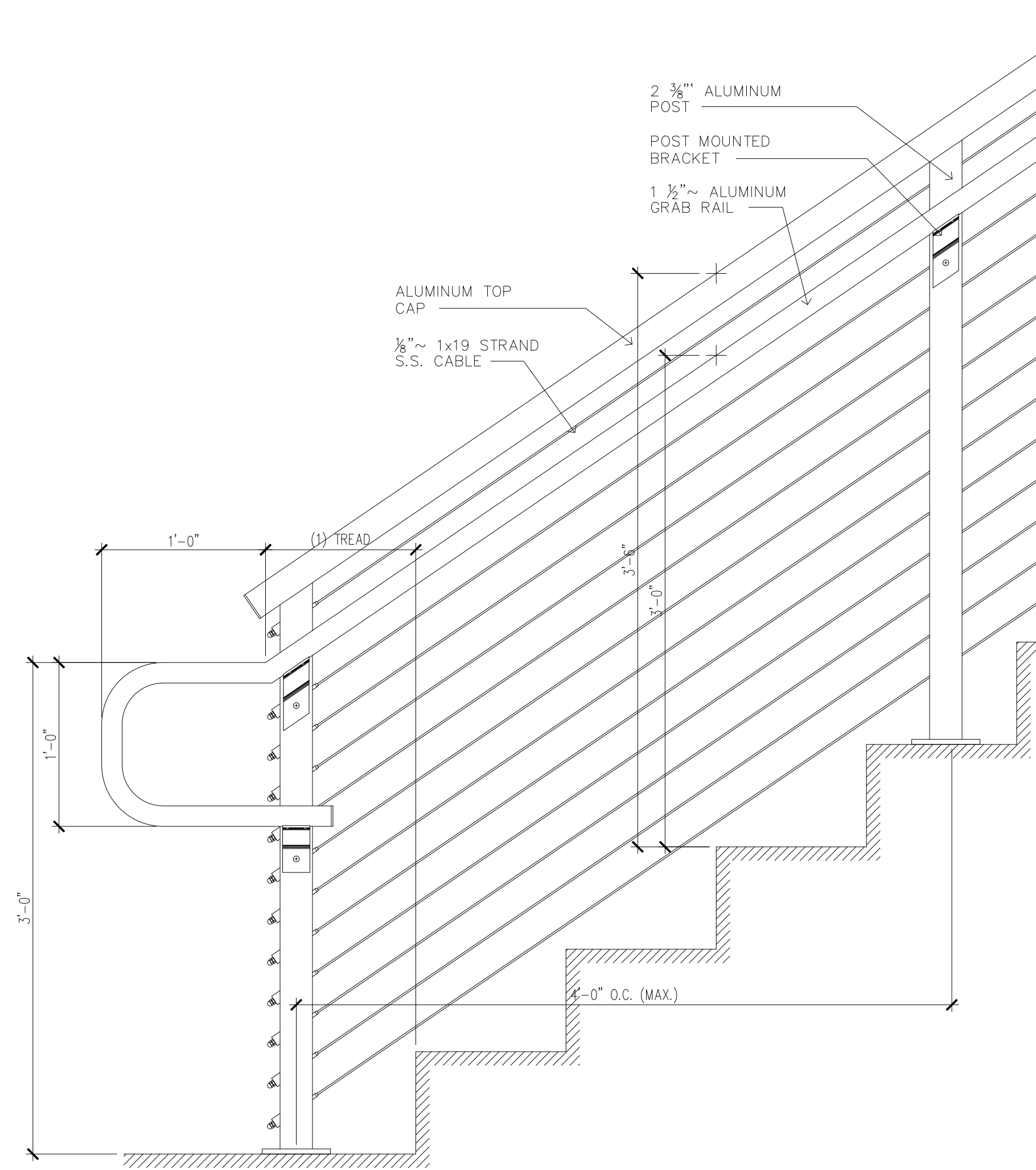


LEVEL GUARDRAIL w/
GRAB RAIL ELEVATION

SCALE: 1 1/2"=1'-0"

SECTION 2

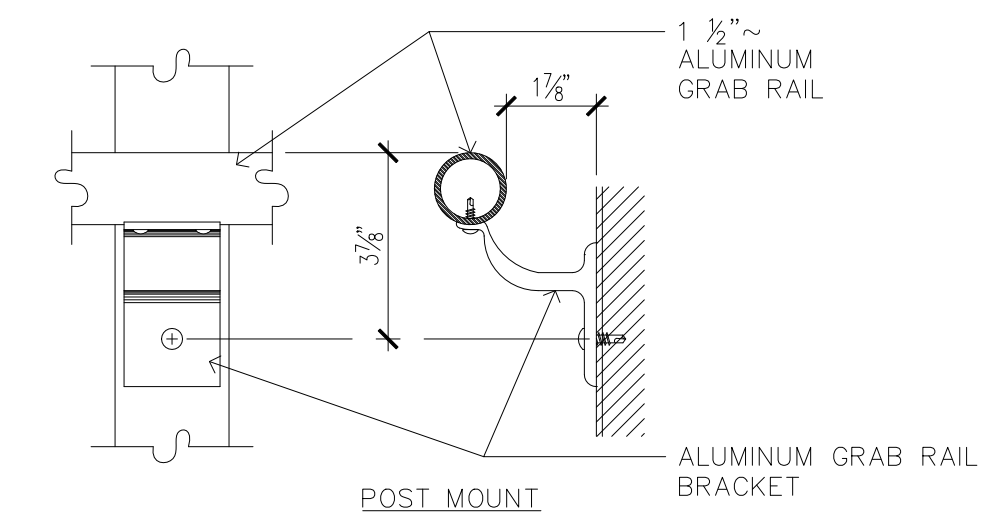
SCALE: 1 1/2"=1'-0"



STAIR GUARDRAIL w/
GRAB RAIL ELEVATION

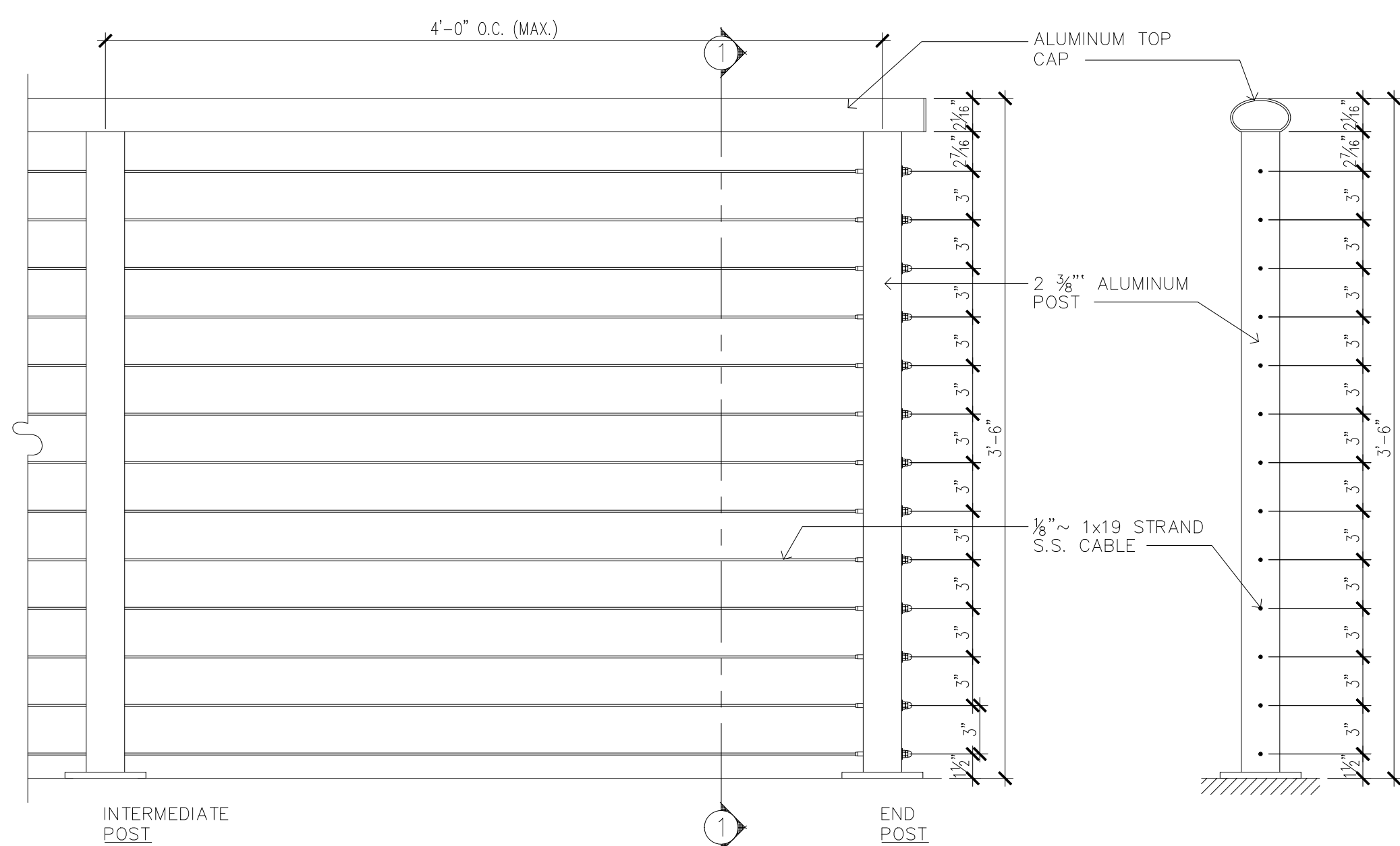
SCALE: 1 1/2"=1'-0"

NOTES -
 * CABLE TO HAVE A CONTINUOUS RUN OF NO MORE THAN 30'-0"
 * ALL ALUMINUM COMPONENTS TO HAVE POWDER COAT FINISH, SEVEN STANDARD AND CUSTOM COLORS.



BRACKET DETAIL

SCALE: 3"=1'-0"

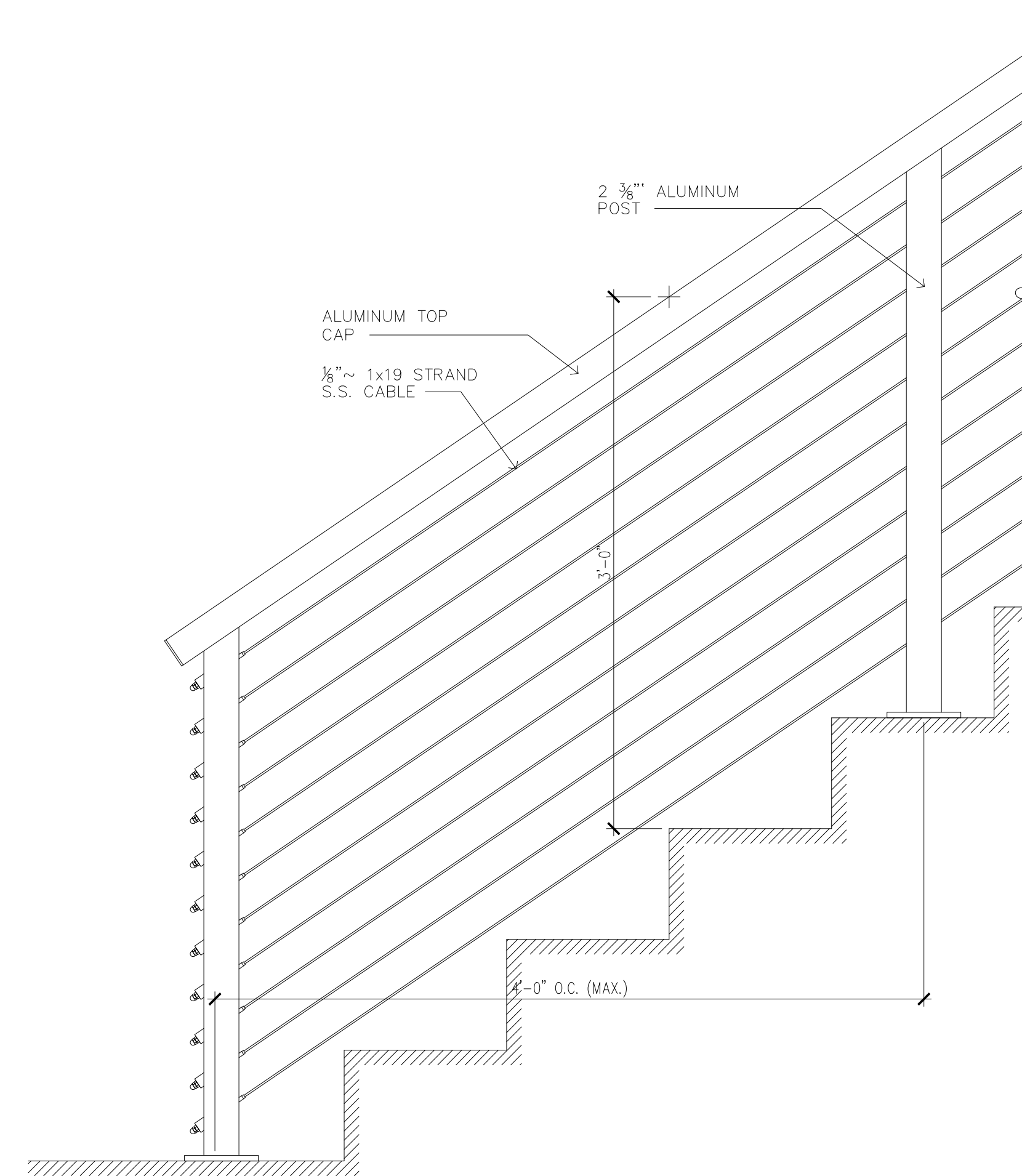


LEVEL GUARDRAIL ELEVATION

SCALE: 1 1/2"=1'-0"

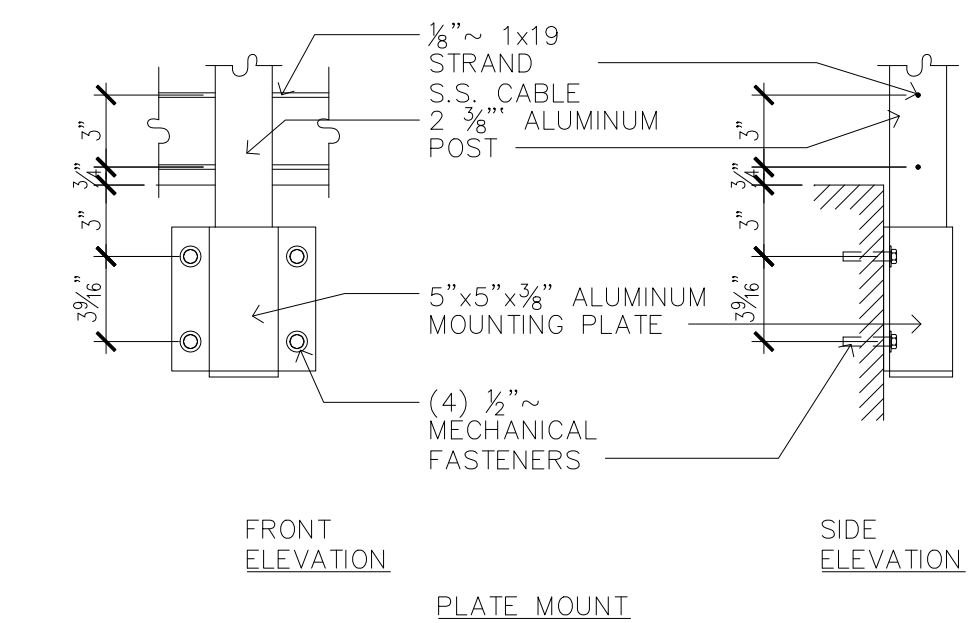
SECTION 1

SCALE: 1 1/2"=1'-0"



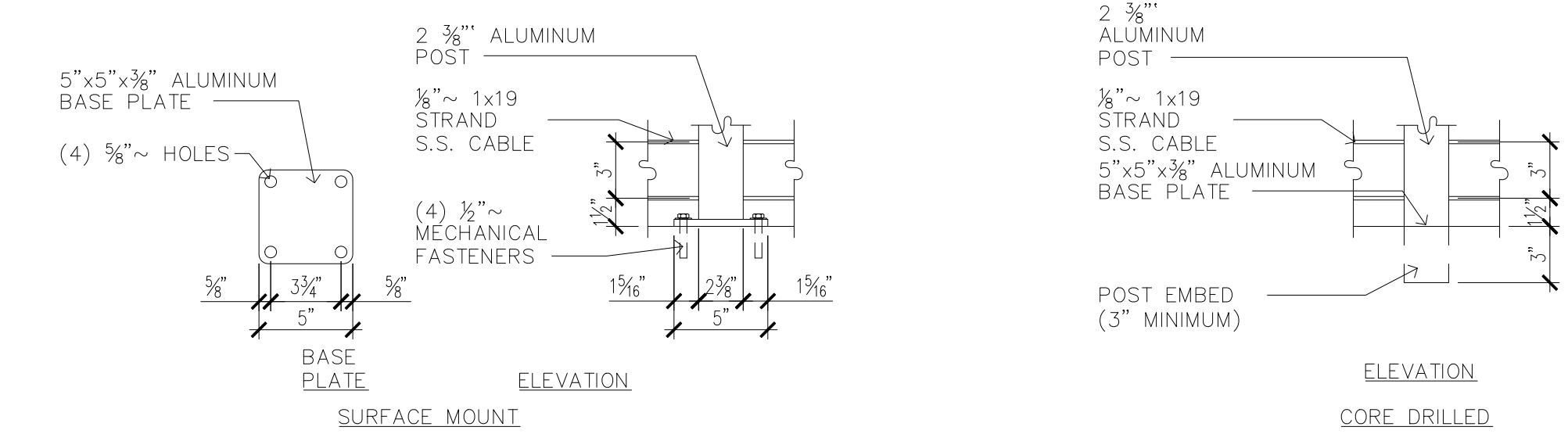
STAIR GUARDRAIL ELEVATION

SCALE: 1 1/2"=1'-0"



FASCIA MOUNTING DETAIL

SCALE: 1 1/2"=1'-0"



FLOOR MOUNTING DETAILS

SCALE: 1 1/2"=1'-0"

Product:
 AP1-2000 COMPONENT RAILING SYSTEM

Notes:
 COPY & PASTE MODELSPACE ENTITIES INTO MODELSPACE OF ARCHITECTURAL SET WITH AN INSERTION POINT OF (0,0).
 COPY & PASTE PAPERSPACE ENTITIES INTO PAPERSPACE OF ARCHITECTURAL SET AND REACTIVATE ALL VIEWPORTS.
 USE COLOR DEPENDANT PLOT STYLES AS FOLLOWS:
 COLOR #240 = .0035" COLOR #242 = .0059" COLOR #246 = .0157"
 COLOR #241 = .0209" COLOR #245 = .0098"

2111 34TH WAY
 LARGO, FL 33771
 PH: 727.536.1924
 FAX: 727.539.6314
 sales@secosouth.com